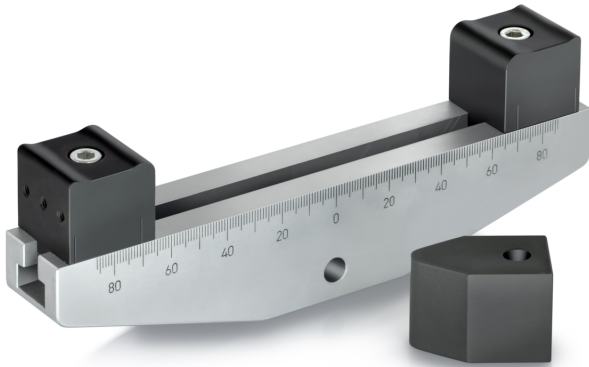


# SAUTER AD 9300

**KERN**

3-point bending device with interchangeable attachments



## Category

Brand	Sauter
Product category	Measurementtechnology
Product group	Bending device

## Construction

Dimension housing (W×D×H)	200×40×30 mm
Dimensions completely mounted (W×D×H)	200×40×30 mm
Material	aluminium
Mounting - force dissipation	Threaded hole M6 External thread M12
Tensile/compressive force [Max]	20 kN

## Packing & Shipping

Delivery time	14 d
Dimensions packaging (W×D×H)	200×40×30 mm
Shipping method	Parcel service
Net weight approx.	2,0 kg
Gross weight approx.	2,0 kg
Shipping weight	2 kg

## Product information

GTIN/EAN number	4045761178632
Trade number	90278990
REACH classification	no prohibited substances

## Pictograms

STANDARD

