

## Straight Blade Devices

20 Amp, 125 Volt, 2-Pole, 3-Wire

# SNAPConnect® Hospital Grade Receptacle

# HUBBELL

## Features

- Audible SNAP, indicates solid connection
- Reduces installation time
- Surge suppression, Tamper-Resistant, LED Indicator

## Ordering Information

Description	Device Color	UPC Number	Catalog Number
Hospital Grade, Surge Protection Receptacle	Ivory	783585252186	SNAP8362IS

## Listings

UL Listed to UL498 File No. E2577  
Certified to CSA, C22.2, No. 42 File 676  
Fed. Spec. W-C-987  
NEMA® WD-6 Compliant

## Specifications

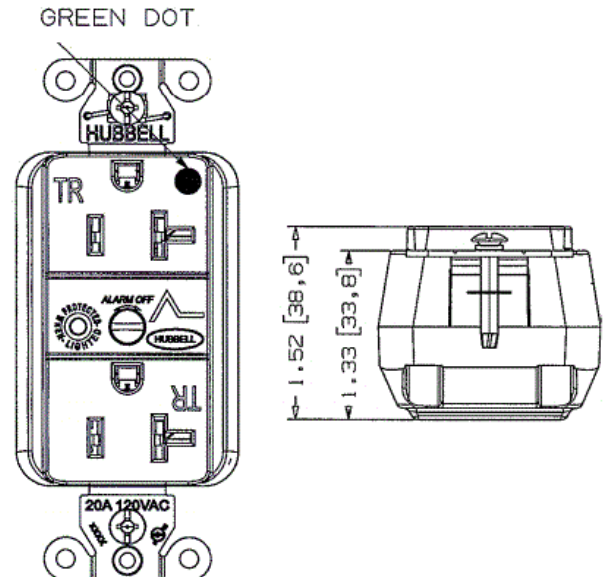
Face	Nylon
Base	Nylon
Line Contact	Brass
Ground Contact	Brass

## Performance

Electrical	
Current Interrupting	Certified for current interrupting at full rated current
Dielectric Voltage	Withstands 2,000V minimum

Mechanical	
Product Identification	Ratings are a permanent part of the device

Environmental	
Flammability	UL 94V-2
Operating Temperature	Maximum continuous 75°C; minimum -40°C (without impact)



## Complementary Products

Wallplate or Weatherproof Cover  
Opening

## Online Resources

Customer Sales Drawing  
eCatalog  
Installation Instructions

Dimensions in Inches (mm)

Hubbell Wiring Device-Kellems • Hubbell Incorporated (Delaware) • 40 Waterview Drive • Shelton, CT 06484

Phone (800) 288-6000 • Fax (800) 255-1031 • Specifications subject to change without notice.

