

Straight Blade Devices.

15A, 125V, 2 Pole, 3 Wire Grounding

USB Charger Receptacles

Features

- Fast Charge USB ports designed for more charging speed
- Charger can increase output from 5 volts to 9 volts, depending on the phone model.
- Uses the standard SNAPConnect connector

Ordering Information

Description	Color	UPC Number	Catalog Number
Hospital Grade SNAPConnect USB Charger Receptacle, One USB Type A and one Type-C port, 3.0 Amp 5 Volt DC, up to 9 Volt DC.	Red	883778308581	SNAP8200UACR

Listings

UL1310
UL listed to UL498

Specifications

Face	Reinforced Thermoplastic
Base	Reinforced Thermoplastic
Contacts	Plated Copper
Mounting Strap	Galvanized Steel
Auto Self-grounding staple	Stainless Steel
Mounting Screws	Zinc Plated Steel

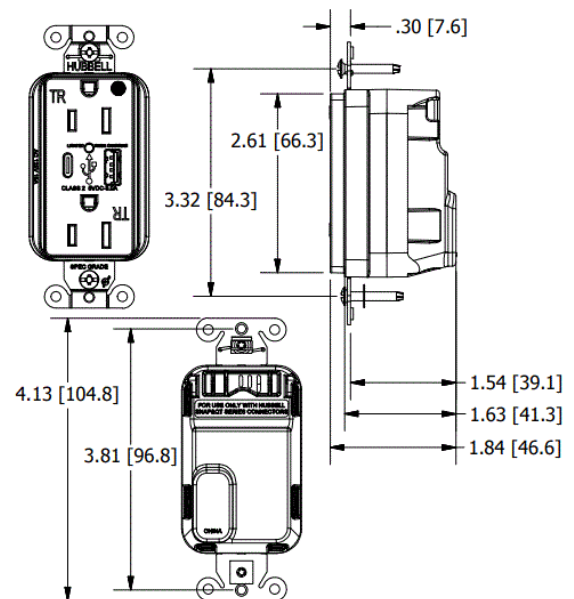
Performance

Electrical	
Current Interrupting	Receptacle certified for current interrupting at full rated current
Dielectric Voltage	Withstands 1,500V minimum

Mechanical	
Product Identification	Ratings are a permanent part of the device
USB Port	Stainless steel, rated for 10,000 plug insertions and removal

Environmental	
Flammability	UL 94V-2
Operating Temperature	Maximum continuous 75°C, minimum -40°C (w/o impact)

HUBBELL



Online Resources

Customer Use Drawing
eCatalog
Installation Instructions

Dimensions in Inches (mm)

Hubbell Wiring Device-Kellems • Hubbell Incorporated (Delaware) • 40 Waterview Drive • Shelton, CT 06484

Phone (800) 288-6000 • Fax (800) 255-1031 • Specifications subject to change without notice.

