

## Straight Blade Devices

15A, 125V, 2 Pole, 3 Wire Grounding

# Extra Heavy Duty SNAPconnect® Single Receptacle

# HUBBELL

## Features

- Audible SNAP indicates solid connection
- Reduces installation time
- Fully insulated design
- Tamper Resistant

## Ordering Information

Description	Device Color	UPC Number	Catalog Number
Specification grade, smooth nylon face	Red	783585557434	SNAP5261RTR



## Listings

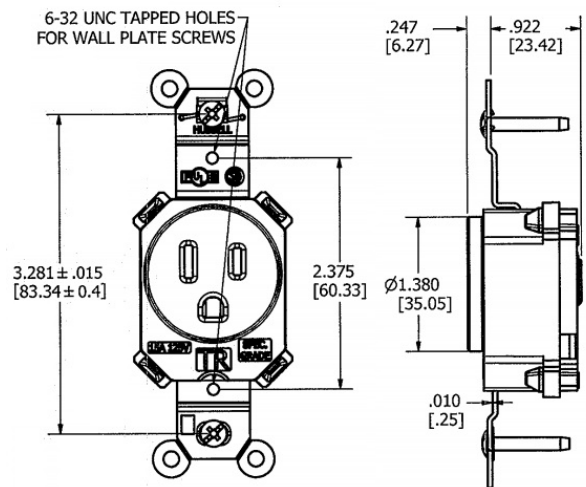
UL Listed to UL498 File No. E2186  
Certified to CSA, C22.2, No. 42 File 285  
Fed. Spec. W-C-596  
NEMA® WD-6 Compliant

## Specifications

Face	Nylon
Base	Nylon
Power Contacts	Brass
Ground Contacts	Brass
Mounting Strap	Galvanized steel
Automatic Self-grounding Staple	Stainless steel
Mounting Screws	Zinc plated steel

## Performance

Electrical	
Current Interrupting	Certified for current interrupting at full rated current
Dielectric Voltage	Withstands 2,000V minimum
Mechanical	
Product Identification	Ratings are a permanent part of the device
Environmental	
Flammability	UL 94V-2
Operating Temperature	Maximum continuous 75°C; minimum -40°C (w/o impact)



## Complementary Products

Stranded SNAPconnector	SNAP2RA
Solid SNAPconnector	SNAP1RA

## Online Resources

Customer Use Drawing  
eCatalog  
Installation Instructions

Dimensions in Inches (mm)

Hubbell Wiring Device-Kellems • Hubbell Incorporated (Delaware) • 40 Waterview Drive • Shelton, CT 06484

Phone (800) 288-6000 • Fax (800) 255-1031 • Specifications subject to change without notice.

