

SystemOne Flush Sub-Plate



Features

- Used with automatic receptacle control systems
- Adhesive stickers provided
- Black Powder Coated

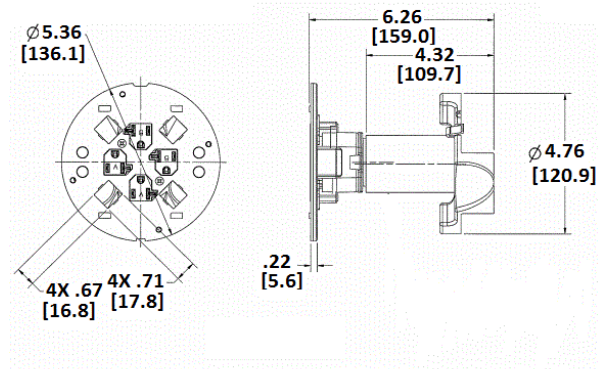
Ordering Information

- Includes necessary mounting hardware

Catalog Number	UPC	Description
S1SP4X4SYSC	783585545608	Sub-plate with 4 pre-wired 20A receptacles (18 inch leads) and openings for 4 Systemax jacks

Standards

cULus Listed



Online Resources

eCatalog