

Fire-Rated Poke-Throughs
SystemOne Recessed
4-Inch Diameter Core Hole



Features

- One 3/4" EMT for Power, Two 1/2" EMT for Low Voltage - not used
- S1R4CVRBRS, Brass Plated Cover Included
- S1R4SPQUAD sub-plate Included
- Junction Box Included

Ordering Information

- Fire-Rated Poke-Through with Installed Quadplex
- Cover Included and Installed Onsite

Catalog Number	UPC Number	Cover Series	Core Hole Diameter
S1R4PTQUADBRS	783585446196	S1R4CVR	4-Inch

Minimum Deck Thickness	Connection Type
2.25" Over Metal Deck	Recessed

Standards

cULus & ULC Listed
 UL scrub water compliant
 ADA Compliant

Specifications

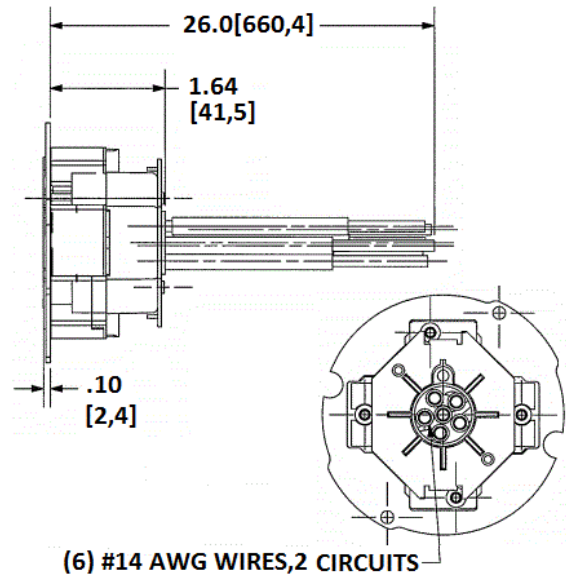
Cover load rating	1000 lbs. static load through 3" diameter mandral
Access cover material	Die cast aluminum
Fire Rating	1 - 2 Hour Fire Rating

Accessories

4" Pre-Pour Tube, removed need for core hold drilling **S1R4PPT**

Online Resources

Customer Use Drawing
 eCatalog
 Installation Instructions



Dimensions in Inches (mm)

Hubbell Wiring Device-Kellems • Hubbell Incorporated (Delaware) • 40 Waterview Drive • Shelton, CT 06484

Phone (800) 288-6000 • Fax (800) 255-1031 • Specifications subject to change without notice.

