

**Fire-Rated Poke-Throughs**  
**10" SystemOne Series**  
**Flush Furniture Feed Cover**

# HUBBELL

**Features**

- (2) 2" Low Voltage Hubs and (2) 1" Line Voltage Hubs, (2) 1" to 3/4" Reducers Provided
- Three Piece Cover Allows Isolated Low Voltage Access During Installation
- Die Cast Aluminum Cover Construction for Enhanced Durability
- ADA Compliant

**Ordering Information**

- Compatible with S1R10PTFIT

**Description**  
 SystemOne, 10" Series,  
 Furniture Feed Cover  
 Assembly, Gray

**UPC Number** 783585547589  
**Catalog Number** S1R10FFCVRGRY

**Listings**

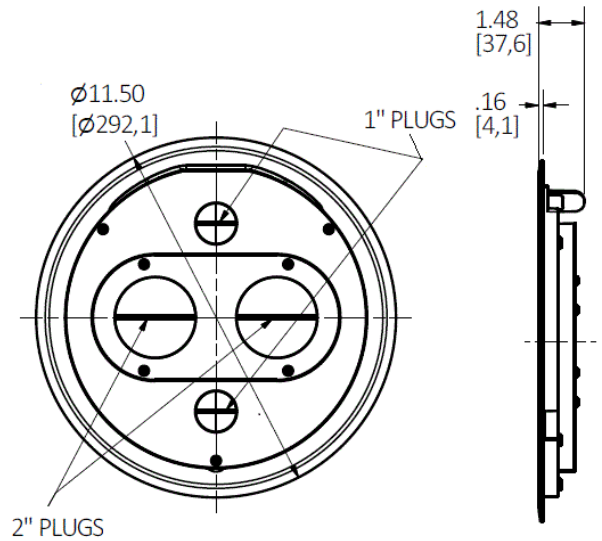
cULus Listed as Fittings and Outlet Boxes, also Classified for Fire Resistance  
 ULC Listed as Fittings and Outlet Boxes for Service Penetration  
 UL Scrub Water Compliant  
 ADA Compliant

**Specifications**

**Material** Cast Aluminum  
**Finish** Gray Powder Paint

**Performance**

**Cover Connection Type** Flush  
**Cover Load Rating** 1,000 lbs Static Load Through 3" Diameter Mandrel



**Complementary Products**

Fire-Rated Poke-Through S1R10PTFIT

**Online Resources**

Customer Use Drawing  
 eCatalog  
 Installation Instructions

Dimensions in Inches (mm)

Hubbell Wiring Device-Kellems • Hubbell Incorporated (Delaware) • 40 Waterview Drive • Shelton, CT 06484

Phone (800) 288-6000 • Fax (800) 255-1031 • Specifications subject to change without notice.

