

Fire-Rated Poke-Throughs
10" SystemOne Series
Center Bottom Feed Plate

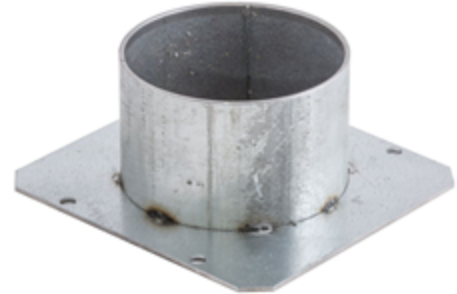
HUBBELL

Features

- Bottom Feed Plates are Required to Maintain S1R10PTFIT Fitting Fire Rating
- Variety of Feed Plates Offers Installation Flexibility
- Includes Necessary Mounting Hardware

Ordering Information

Description SystemOne, 10" Series, Bottom Feed Plate, Center, Two Gang, 2-1/2" EMT	UPC Number 783585548074	Catalog Number S1R10CBF250
--	-----------------------------------	--------------------------------------



Listings

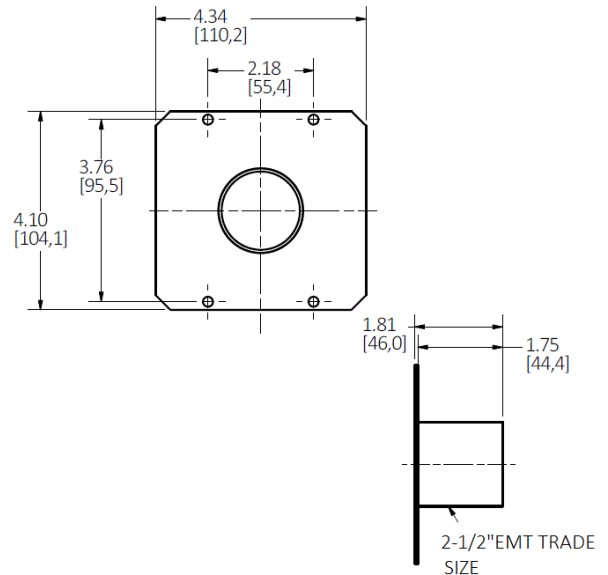
cULus Listed

Specifications

Material	Pre-Galvanized Steel
Finish	Natural

Performance

Application Type	2-1/2" EMT
Bottom Fitting Position	Center



Complementary Products

Fire-Rated Poke-Through

S1R10PTFIT

Online Resources

Customer Use Drawing
eCatalog
Installation Instructions

Dimensions in Inches (mm)

Hubbell Wiring Device-Kellems • Hubbell Incorporated (Delaware) • 40 Waterview Drive • Shelton, CT 06484

Phone (800) 288-6000 • Fax (800) 255-1031 • Specifications subject to change without notice.

