

Switched Disconnects and Enclosures

Stainless Steel Circuit-Lock® Unfused Switched Disconnect Enclosures

Suitable as Motor Disconnects

Features

- Formed in nonporous 304 stainless steel
- IP69k and Type 4X,12K water ingress protection
- Certified by NSF for hygiene in food processing applications
- Highly visible red handle which meets OSHA Lockout/Tagout capabilities
- Accepts up to 2 Auxiliary contacts

Ordering Information

Description	UPC Number	Catalog Number
30A Sloped Top disconnect switch for use with variable frequency drives	783585541563	HBLDS3SSRVFD

Listings

cULus Listed
NSF Certified

Specifications

Enclosure: Base and Top	#14 Gauge Type 304 Stainless Steel
Handle	PBT
Conduit Hub	¼ in. Zinc
Enclosure Gasket	Neoprene
Enclosure Screws	Stainless Steel
Shaft (Unfused)	PBT
Shaft Seal	Molded Neoprene

Performance

Electrical	
Current Interrupting	Certified for current interrupting at full rated current and voltage
Dielectric Voltage	Withstands 3000V AC minimum
Max. Working Voltage	600V AC RMS
Short Circuit Current Ratings (SCCR): (Motor Disconnect)	Suitable for use on a circuit capable of delivering not more than 65kA RMS symmetrical, 600V AC max. when protected by Class J fuses rated 30A max.

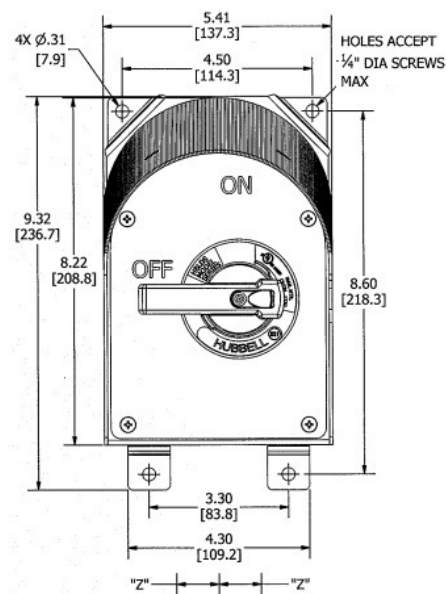
Mechanical

Impact Resistance	In accordance with UL 746C
Mounting	Feet are fixed
Terminal Identification	In accordance with UL, CSA and international conventions

Environmental

Flammability	UL94-5VA and V0 Classification
Moisture Resistance	Indoor and Outdoor – Type 4X (Wash down, Corrosion resistant); Indoor – Type 12 (Dust-tight, Falling Dirt, Noncorrosive Liquids). Max. Continuous: 75°C; Min. Continuous: -40°C without impact
Operating Temperature	
UV Resistance	All materials are UV stabilized

HUBBELL



Complementary Products

Replacement Covers	HBLDS3SSRRC
Replacement Ground Block	HBL30RGB
Replacement Neutral Block	HBL30RNB
Replacement Switches	HBLDS3RS

Online Resources

Customer Use Drawing
eCatalog
Installation Instructions

Dimensions in Inches (mm)

Hubbell Wiring Device-Kellems • Hubbell Incorporated (Delaware) • 40 Waterview Drive • Shelton, CT 06484

Phone (800) 288-6000 • Fax (800) 255-1031 • Specifications subject to change without notice.

