

## Switched Disconnects and Enclosures

### Circuit-Lock® 30A Disconnects with LED Indicators

### LED Replacement Covers

# HUBBELL

#### Features

- Six highly visible integral phase identification LEDs for use on 3 Phase Y system
- Sloped top design sheds water and debris
- External LEDs provide secondary means of visual confirmation of make/break on all phases

#### Ordering Information

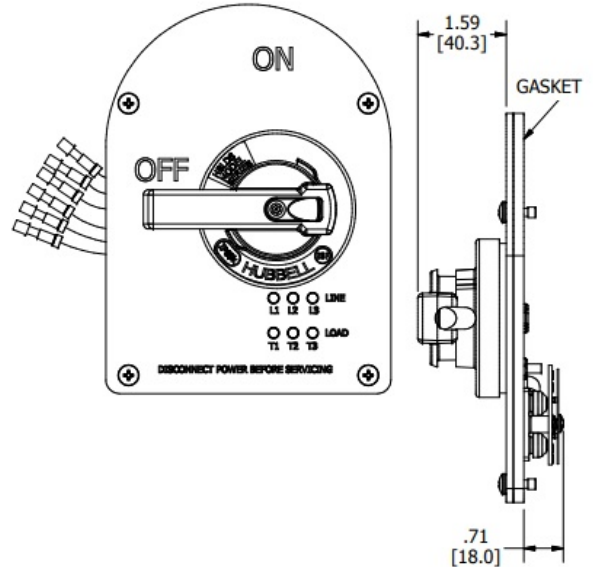
Description	UPC Number	Catalog Number
Replacement cover for 30A switches with LEDs, Stainless Steel Sloped Top	783585365213	HBLDS3SSRCP

#### Listings

cULus Listed

#### Specifications

Cover & Hardware	Stainless Steel
Handle & Mount	PBT
Gasket	EPDM FOAM



#### Complementary Products

Disconnect Switch

HBLDS3SSRP

#### Online Resources

Customer Use Drawing

eCatalog

Installation Instructions

Dimensions in Inches (mm)

Hubbell Wiring Device-Kellems • Hubbell Incorporated (Delaware) • 40 Waterview Drive • Shelton, CT 06484

Phone (800) 288-6000 • Fax (800) 255-1031 • Specifications subject to change without notice.

