

**inSIGHT**  
**Circuit-Lock Disconnect**  
**with LED Indicators**

**Features**

- Six highly visible integral phase identification LEDs for use on 3 Phase Y system
- Secondary confirmation of isolation of power
- Certified by NSF
- Integral jog switch allows communication to a PLC
- Accepts up to 2 Auxiliary contacts

**Ordering Information**

Description	UPC Number	Catalog number
SS Disc ,100A LED, 4X,LED&Jog, Rep Cover	783585640488	HBLDS10SSRCPJ

**Listings**

cULus Listed  
 NSF

**Specifications**

Environmental rating	UL Witnessed IP69K, 4X and 12
Enclosure: Base and Top	304 Stainless Steel
Handle	PBT
Conduit Hub	1 1/4" Zinc
Enclosure Gasket	Neoprene
Frame	Galvanized Steel
Enclosure Screws	Stainless Steel 300 Series
Shaft (Unfused)	PBT
Shaft Seal	Molded Neopren
LED Lense	PC

**Performance**

Electrical	
Current Interrupting	Certified for current interrupting at full rated current and voltage
Dielectric Voltage	Withstands 3000V AC minimum
Max. Working Voltage	600V AC RMS
Short Circuit Current Ratings (SCCR): (Motor Disconnect)	(SCCR): (Motor Disconnect) Suitable for use on a circuit capable of delivering not more than 65kA RMS symmetrical, 600V AC max. when protected by Class J fuses rated 30A max.

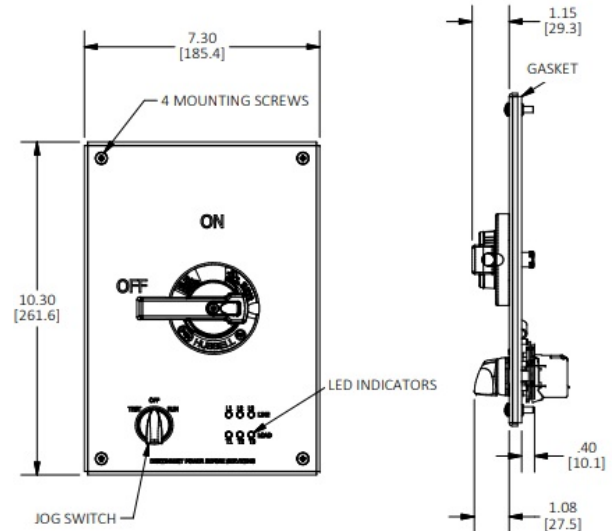
**Mechanical**

Impact Resistance	In accordance with UL 746C
Mounting	External fully adjustable feet
Terminal Identification	In accordance with UL, CSA and international conventions

**Environmental**

Flammability	UL94-5VA and V0 Classification
Moisture Resistance	Indoor and Outdoor – Type 4X (Wash down, Corrosion resistant); Indoor – Type 12 (Dust-tight, Falling Dirt, Noncorrosive Liquids).
Operating Temperature	Max. Continuous: 75°C; Min. Continuous: -40°C without impact

**HUBBELL**



**Complementary Products**

"Break After Main" 1NO & 1 NC Aux Contact	HBLAC1
"Break Before Main" 1NO Aux Contact	HBLAC2
1 1/4" Stainless Steel Conduit Hub	HUB125SS

**Online Resources**

Customer Use Drawing  
 eCatalog  
 Installation Instructions

Dimensions in Inches (mm)

Hubbell Wiring Device-Kellems • Hubbell Incorporated (Delaware) • 40 Waterview Drive • Shelton, CT 06484

Phone (800) 288-6000 • Fax (800) 255-1031 • Specifications subject to change without notice.

