

Wallplates
Weatherproof Covers

HUBBELL

Vertical, for FS/FD Box Mounting

Ordering Information

Description	Catalog Number	UPC
For switches and receptacles with face diameters of 1.55-1.58" (39.4-40.1), no lift	HBL7320	783585809304

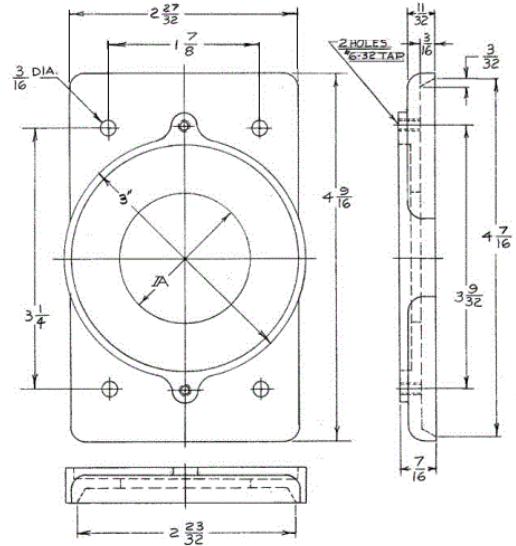


Listings

UL Listed
CSA Certified

Specifications

Material Aluminum



Online Resources

Customer Use Drawing
eCatalog

Dimensions in Inches (mm)

Hubbell Wiring Device-Kellems • Hubbell Incorporated (Delaware) • 40 Waterview Drive • Shelton, CT 06484

Phone (800) 288-6000 • Fax (800) 255-1031 • Specifications subject to change without notice.

