

Raceway Metal Raceway 1-Gang Specialty Boxes

HUBBELL

Features

- Combination Switch/Recept.
- For use with HBL500, HBL700 and HBL750 Series Raceway
- Connects surface runs of ½ in. trade size conduit, one raceway twistout each side and three raceway twistouts top and bottom.

Ordering Information

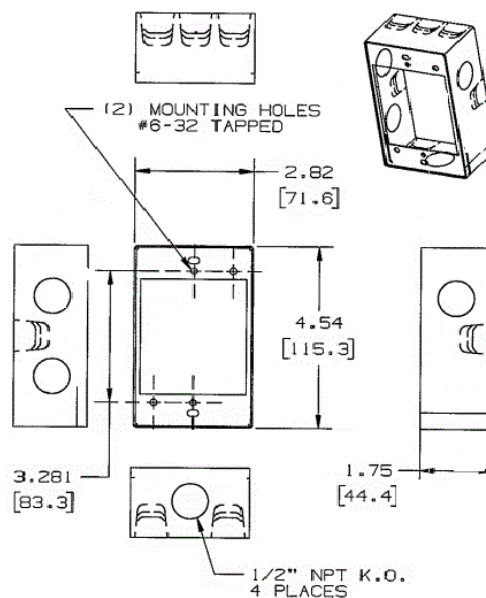
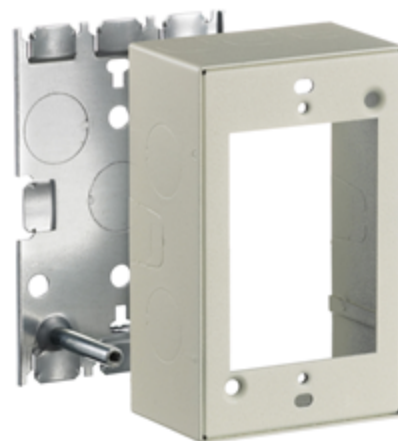
Description	Color	UPC Number	Catalog Number
1-Gang Specialty Boxes	Ivory	783585423463	HBL57451VA

Listings

UL Listed
CSA Certified

Specifications

Height	4.54"
Width	2.82"
Length	1.75"



Online Resources

eCatalog

