

## Single Pole Devices and Temporary Power

300A, 600V AC/250V DC

### Female Plug

#### Features

- Extra Long non-conductive inner sleeve
- Turn and Lock Symbol aids in the mating of devices
- Easily Identifiable Cable with cut off points for secure fit

# HUBBELL



#### Ordering Information

Description	Device Color	UPC	Catalog Number
300A, thermoplastic elastomer, cable size #6 - 2/0 AWG	Green	783585578781	HBL300FGNM1

#### Standards

UL and cUL Listed  
UL Enclosure Types 3R, 4X, 12  
National Electric Code (NEC), ANSI/NFPA 70

#### Specifications

Base Compound	Thermoplastic Elastomer
Contact Material	Brass
Retaining Screw Material	Nylon

#### Performance

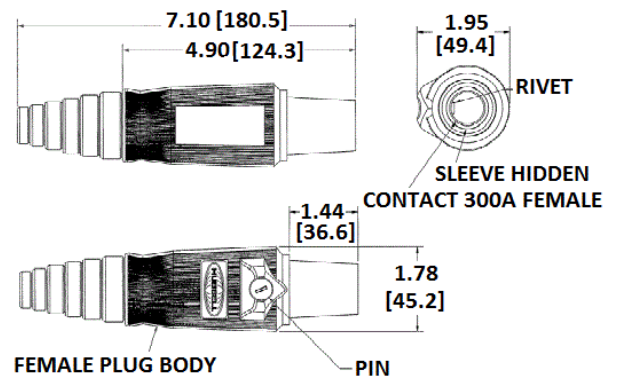
Electrical	
Amperage Rating	400A Maximum
Voltage Ratings	600V AC Maximum; 250V DC Maximum

Mechanical	
Product Identification	Ratings are a permanent part of device
Terminal Accommodation	#6 to 2/0 AWG

Environmental	
Flammability	HB per UL94 or CSA 22.2. 0.17

#### Online Resources

eCatalog



Dimensions in Inches (mm)

Hubbell Wiring Device-Kellems • Hubbell Incorporated (Delaware) • 40 Waterview Drive • Shelton, CT 06484

Phone (800) 288-6000 • Fax (800) 255-1031 • Specifications subject to change without notice.

