

Ground Fault Products  
Commercial Tamper-Resistant and Weather  
Resistant GFCI Receptacles

# HUBBELL

## Features

- Audible SNAP, indicates solid connection
- Patented shutter design for tamper-resistant protection
- Meets NEC requirements for TR (517-18c) and WR (406.9), UV and corrosion resistance for harsh and damp applications
- Patented AUTOGUARD® self test technology
- Protects against line and load reversal, no power to the face or downstream if device is miswired

## Ordering Information

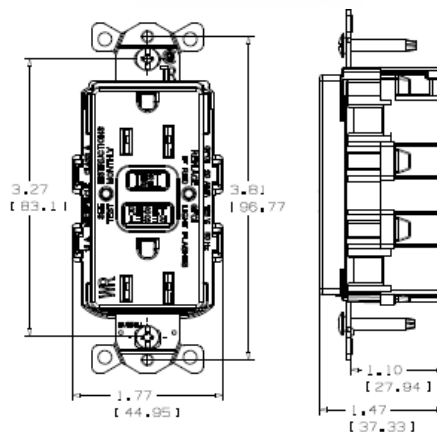
| Description  | Color | UPC          | Catalog Number   |
|--|-------|--------------|------------------|
| 15A, 125V, Style Line®, hospital grade, SNAPConnect®, AUTOGUARD® self test GFCI receptacle, tamper-resistant and weather resistant, flush face, back and side wired, multiple drive screws | Gray  | 883778600081 | GFTWRST15SNAP GY |

## Listings

UL Listed - Canadian and U.S.  
Meets ADA Standards  
Meets all NEC® requirements  
CSA Certified  
NEMA® WD-6 Compliant

## Specifications

|                 |                   |
|-----------------|-------------------|
| Face            | Nylon             |
| Base            | Nylon             |
| Power Contacts  | Brass             |
| Ground Contacts | Brass             |
| Mounting Strap  | Zinc plated steel |
| Mounting Screws | Zinc plated steel |



## Complementary Products

|   |  |
|---|--|
| Wallplates for duplex openings<br>SNAP1RA | Solid Right Angle Pigtailed Terminal<br>Stranded Right Angle Pigtailed<br>Terminal |
|---|--|

## Online Resources

Customer Use Drawing  
eCatalog  
Installation Instructions

Dimensions in Inches (mm)

Hubbell Wiring Device-Kellems • Hubbell Incorporated (Delaware) • 40 Waterview Drive • Shelton, CT 06484

Phone (800) 288-6000 • Fax (800) 255-1031 • Specifications subject to change without notice.

