

Ground Fault Products
 Portable GFCI Line Cords
 Industrial Grade, Automatic and Manual
 Set

HUBBELL

Features

- Unit must be reset by pushing the reset button upon plug in and after loss of primary power
- After a ground fault condition, unit must be reset by pushing the reset button
- Ideal for applications where operator injury might occur if equipment were to restart after a power failure
- Self-test functionality per UL 943 requirement



Ordering Information

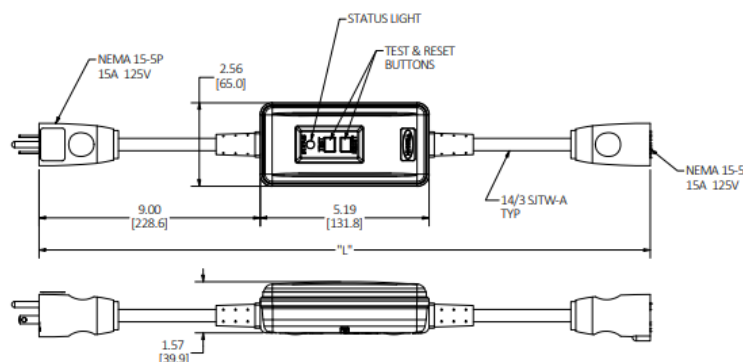
Description	Length	UPC	Catalog Number
Circuit Guard® manual set portable GFCI line cord, 15A 120V AC	6' (182.9 cm)	783585703350	GFPST6C15M

Listings

UL Listed
 CSA Certified
 IP21 Suitability

Specifications

Housing	PVC
Plug	PVC
Connector	PVC
Buttons	Rubber



Online Resources

Customer Use Drawing
 eCatalog
 Installation Instructions

Dimensions in Inches (mm)

Hubbell Wiring Device-Kellems • Hubbell Incorporated (Delaware) • 40 Waterview Drive • Shelton, CT 06484

Phone (800) 288-6000 • Fax (800) 255-1031 • Specifications subject to change without notice.

