

Switches, Single Pole  
 20A, 120-277V AC  
 Style Line® Pilot Decorator Series  
 Specification Grade Switch

# HUBBELL

## Features

- Thread cleaning captive mounting screw
- Steel, zinc plated bridge is corrosion resistant
- Automatic self-grounding staple

## Ordering Information

Description	Rocker Color	UPC	Catalog Number
Rocker, with Red LED, back and side wired	Black	783585187853	DS120PLBK

## Listings

UL Listed  
 CSA Certified

## Specifications

Rocker Material	Thermoplastic
Contacts	Silver Alloy
Terminal Screws	Brass
Mounting Bridge	Nickel Plated Steel with Auto Ground Staple
Contacts	Silver Alloy
Ground Screw	Brass (Green)

## Performance

### Electrical

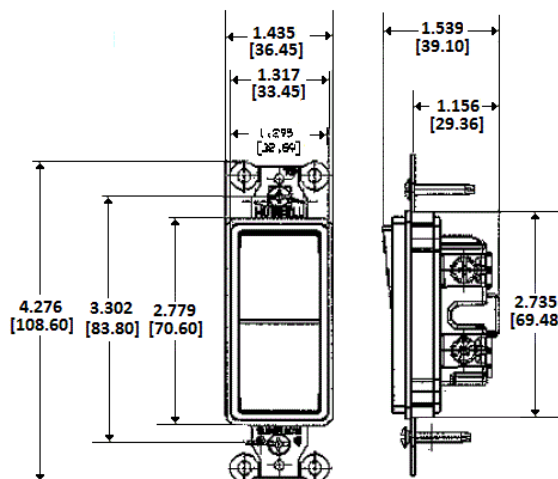
Dielectric Voltage	Withstands 1500V AC minimum for 1 minute
Max. Continuous Current	20A
Max. Working Voltage	277V AC
Overload	Minimum 4.8 times rated current for 100 cycles
Temperature Rise	30°C maximum at rated current

### Mechanical

Terminal Accommodations	#14 AWG min. - #10 AWG max. solid and stranded copper wire only
-------------------------	---

### Environmental

Flammability	UL 94V-2
Operating Temperature	Max. continuous: 75°C; Min. continuous: -40°C without impact



## Online Resources

Customer Use Drawing  
 eCatalog  
 Installation Instructions

Dimensions in Inches (mm)

Hubbell Wiring Device-Kellems • Hubbell Incorporated (Delaware) • 40 Waterview Drive • Shelton, CT 06484

Phone (800) 288-6000 • Fax (800) 255-1031 • Specifications subject to change without notice.

