

## Straight Blade Devices

20A, 125V, 2 Pole, 3 Wire Grounding

# Commercial Specification Grade Duplex Receptacles

# HUBBELL

## Features

- Easy access split circuit tab
- Single tab breakoff ears
- Nylon face and base for durable construction

## Ordering Information

Description	Device Color	UPC Number	Catalog Number
Pre-wired, Tamper-Resistant, self-grounding, 8" solid wire leads	White	783585146683	CR20WHITRP1

## Listings

UL listed to UL 498  
Certified to CSA, C22.2, No. 42

## Specifications

Face Material	Nylon
Base Material	Nylon
Power Contacts	.030 in. (.8) Brass
Mounting Strap	.040 in. (1) Steel (Galvanized)
Ground Contact	.031 in. (.8) Brass

## Performance

Electrical	
Current Interrupting	Certified for current interrupting at full rated current
Dielectric Voltage	Withstands 2,000V minimum
Max. Working Voltage	125V
Temperature Rise	Max 30°C temperature rise at full rated current after 100 cycles of overload at 150% of rated current

## Mechanical

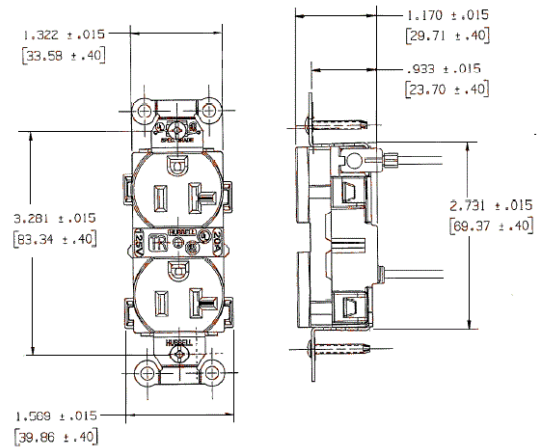
Product Identification	Ratings are a permanent part of the device
------------------------	--

## Environmental

Flammability	UL 94V-2
Operating Temperatures	Maximum continuous 75°C; minimum -40°C (w/o impact)



20A 125V  
NEMA 5-20R  
UL CSA  
1 HP



## Online Resources

Customer Sales Drawings  
eCatalog  
Installation Instructions

Dimensions in Inches (mm)

Hubbell Wiring Device-Kellems • Hubbell Incorporated (Delaware) • 40 Waterview Drive • Shelton, CT 06484

Phone (800) 288-6000 • Fax (800) 255-1031 • Specifications subject to change without notice.

