

## Floor Boxes

# SystemOne Recessed 4, 6 and 10 Gang Floor Box Cover

# HUBBELL

## For Use In Concrete, Raised Access and Wood Floors

### Features

- 180 degree cover opening to lay flat and reduce tripping hazards
- Two large cable egress doors
- Die cast aluminum cover construction for enhanced durability
- ADA Compliant

### Ordering Information

- Compatible with CFB4G25R, CFB4G25RCR, CFB4G30R, CFB4G30RCR, CFB6G30R, CFB6G30RCR, CFB10G55R and CFB10G55RCR
- Surface style typical applications: Carpet, VCT

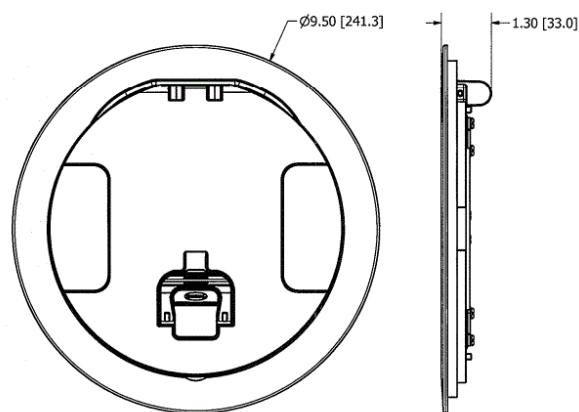
Catalog Number	UPC Number	Style	Finish
CFBS1R8CVRGRY	783585459516	Surface / Raised Access / Wood	Gray Powder Coat

**Dimensions**  
9.5 in Diameter

**Floor Finish Insert**  
No

### Specifications

Cover Material	Aluminum
Flange height	0.125 in.
Adjustment Range	n.a.
Load Rating	1000 lbs. (w/ 2x safety factor)



### Online Resources

eCatalog