

Floor Boxes
SystemOne Recessed 2 Gang Furniture Feed
Floor Box Cover

HUBBELL

For Use In Concrete Floors

Features

- 180 degree cover opening to lay flat and reduce tripping hazards
- Die cast aluminum cover construction for enhanced durability
- One 2" and one 3/4" NPT threaded conduit hub
- ADA Compliant

Ordering Information

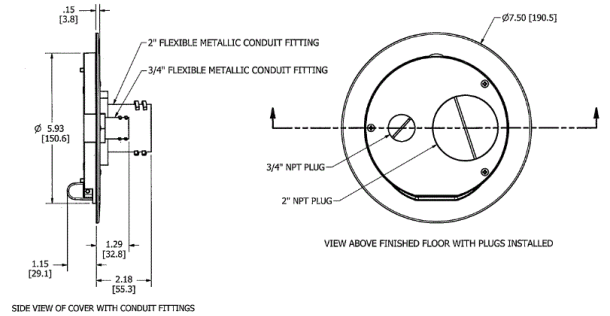
- Compatible with CFB2G25R, CFB2G25RCR, CFB2G30R and CFB2G30RCR
- Surface style typical applications: Carpet, VCT

Catalog Number	UPC Number	Style	Finish
CFBS1R6FFCVRBRZ	783585527895	Surface	Antique Bronze Plated

Dimensions	Floor Finish Insert
7.5 in Diameter	No

Specifications

Cover Material	Aluminum
Flange height	0.125 in.
Adjustment Range	n.a.
Load Rating	1000 lbs. (w/ 2x safety factor)



Online Resources

[eCatalog](#)