

Floor Boxes
SystemOne Recessed 2 Gang Furniture Feed
Floor Box Cover

HUBBELL

For Use In Concrete Floors

Features

- 180 degree cover opening to lay flat and reduce tripping hazards
- Die cast aluminum cover construction for enhanced durability
- One 2" and one 3/4" NPT threaded conduit hub
- ADA Compliant

Ordering Information

- Compatible with CFB2G25R, CFB2G25RCR, CFB2G30R and CFB2G30RCR
- Surface style typical applications: Carpet, VCT

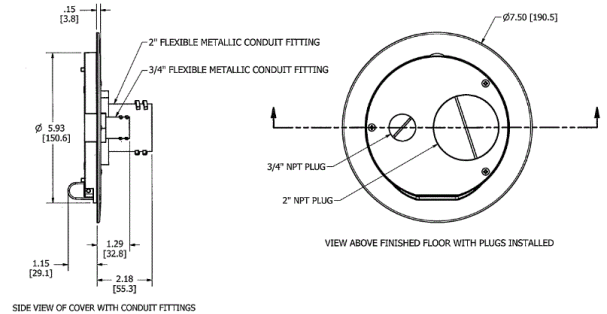
Catalog Number	UPC Number	Style	Finish
CFBS1R6FFCVRBLK	783585527871	Surface	Black Powder Coat

Dimensions
7.5 in Diameter

Floor Finish Insert
No

Specifications

Cover Material	Aluminum
Flange height	0.125 in.
Adjustment Range	n.a.
Load Rating	1000 lbs. (w/ 2x safety factor)



Online Resources

eCatalog