

Floor Boxes  
SystemOne 6" Furniture Feed Boxes  
For use in Raised Access or Wood Floors

# HUBBELL

## Features

- 0.15" flange thickness complies with ADA requirements

## Ordering Information

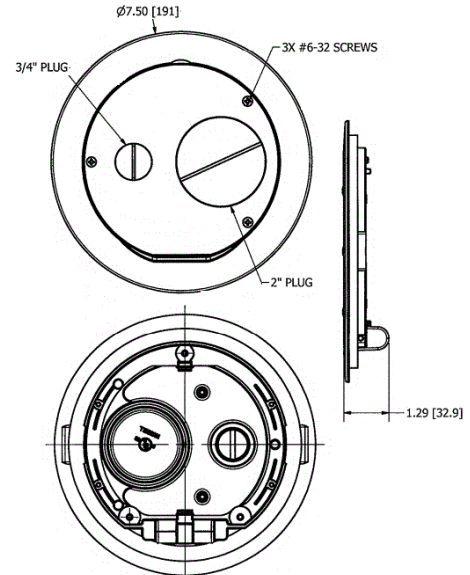
<b>Description</b> 6" Cover	<b>Device Color</b> Gray Cover	<b>UPC Number</b> 783585545820	<b>Catalog Number</b> AFBS1R6FFCVRG RY
--------------------------------	-----------------------------------	-----------------------------------	--

## Listings

UL 514A listed

## Specifications

Cover Flange	Aluminum
Cover	Aluminum
Threaded Plugs	Aluminum
Gasket	Elastomer



## Online Resources

eCatalog

Dimensions in Inches (mm)

Hubbell Wiring Device-Kellems • Hubbell Incorporated (Delaware) • 40 Waterview Drive • Shelton, CT 06484

Phone (800) 288-6000 • Fax (800) 255-1031 • Specifications subject to change without notice.

