

Floor Boxes
 SystemOne 4" Round Recessed Boxes
 For use in Raised Access or Wood Floors



Features

- AFBS1R4BASE with AFBS1R4CVRALU
- Durable brushed finish cover
- 0.15" flange thickness complies with ADA requirements
- UL 514A listed

Ordering Information

| Description | Device Color | UPC Number | Catalog Number |
|----------------------|----------------|--------------|----------------|
| 4" Recessd Box/Cover | Aluminum Cover | 783585545233 | AFBS1R4ALU |

Listings

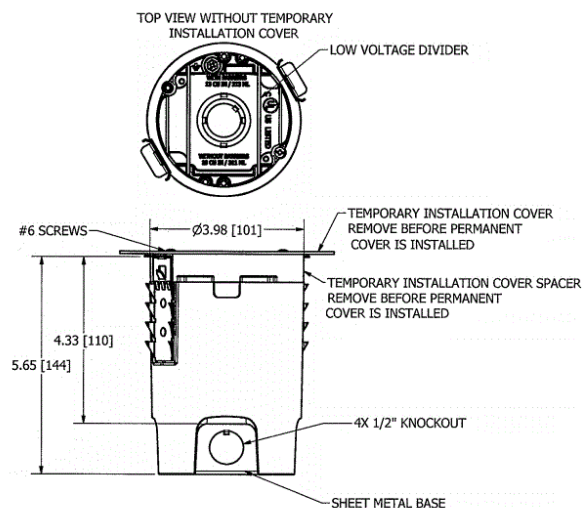
UL 514A listed

Specifications

| | |
|--------------|---|
| Box | Cast Aluminum |
| Box Botton | Steel, Galvanized |
| Cover Flange | Aluminum |
| Cover | Aluminum |
| Access Door | Aluminum |
| Divider | Steel, Galvanized |
| Knockouts | Sides: (4) 1/2" Bottom: (1) 1/2", 3/4" & 1" Concentric |

Performance

| Performance | |
|-------------------|---|
| Cover Load Rating | 300 lbs. for a static load applied through a 3 inch mandrel |



Online Resources

- Customer Use Drawing
- eCatalog
- Installation Instructions

Dimensions in Inches (mm)

Hubbell Wiring Device-Kellems • Hubbell Incorporated (Delaware) • 40 Waterview Drive • Shelton, CT 06484

Phone (800) 288-6000 • Fax (800) 255-1031 • Specifications subject to change without notice.

