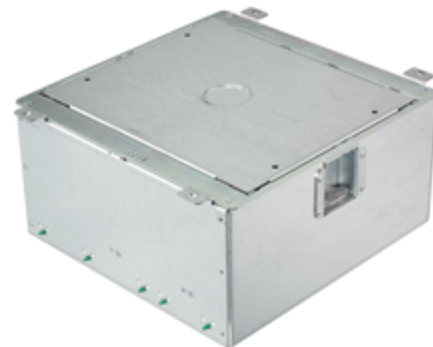


Floor Boxes
SystemOne Recessed 10 Gang Floor Box
For use in Raised Access or Wood Floors

HUBBELL

Features

- 5 1/2 in. box depth
- Stamped steel construction
- No knock outs
- Patent pending, labor saving, easy mount device plates
- Rectangular covers



Ordering Information

- Temporary cover for use prior to trim-out
- 6 inch solid conductor ground pigtail in each gang

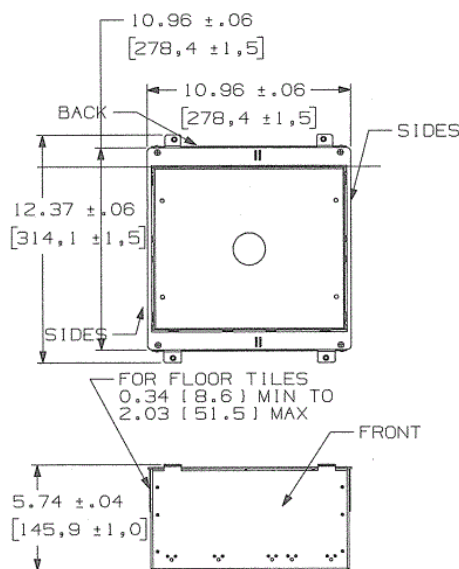
Catalog Number AFB10G55CHI	UPC Number 783585447452	Cover Series 10GAFBxx	Box Type Raised Access
Device Volume 25 cu in.	Depth Behind Mounting Plate 2 3/4 in..	Max. Tile Thickness 2 in.	Min. Tile Thickness 3/4 in.

Specifications

Box Material 16 gauge galvanized steel
 Access Cover Material (ordered separately) Die cast aluminum

Required

Cover
 AFB Style Rectangular Covers (for use with carpet, tile, VCT and [Click here](#) other engineered floors)



Online Resources

[eCatalog](#)