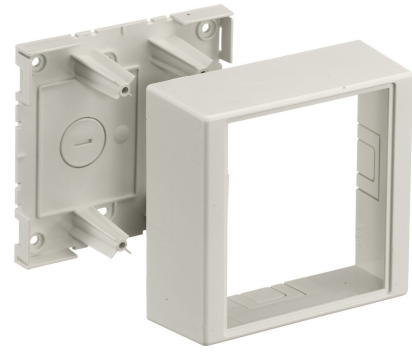


HUBBELL Premise Wiring

Non-Metallic Raceway, PolyTrak Series, PREMISE-TRAK, PLUGTRAK, 2-Gang Box

By Hubbell Premise Wiring
Catalog # [PT12TGB](#)

Non-Metallic Raceway, PolyTrak Series, PREMISE-TRAK,
PLUGTRAK, 2-Gang Box



Features

- Reduces inventory requirements
- Eliminates need to order three separate boxes
- Boxes available in low, standard and deep profiles

Performance

Environmental - Flammability - UL94V-0, Environmental -
Operating Temperature - -25.6° to 158° F

Specifications

Industry Standard(s)	<ul style="list-style-type: none">• CSA Standard C22.2 no. 62• E118895 / E119190• UL Standard UL 5A
EU RoHS Indicator	Contact Manufacturer

Configuration

Number of Gang(s)	2-Gang
-------------------	--------

General

Item Type	PT1 PremiseTrak Series
Type	Boxes
Series	PT1
Specifications	<ul style="list-style-type: none">• Crush Resistance - 300 lbs• Impact Resistance - 5 ft. lbs.• Material - UV Stabilized PVC
UPC	783585337852
Style	Deep
Color	Office White

Logistics

Carton Quantity	5
Pallet Quantity	945

Product Assets

- [Catalog \[English\]](#)
- [Catalog \[English\]](#)
- [Catalog Page \[English\]](#)