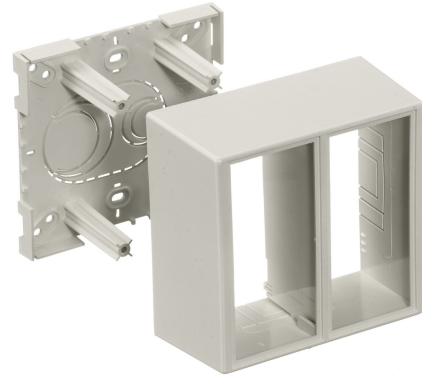


HUBBELL Premise Wiring

Non-Metallic Raceway, PolyTrak Series, PolyTrak Box, 2-Gang, 2.44" Deep

By Hubbell Premise Wiring
Catalog # [PDB12TGD](#)

Non-Metallic Raceway, PolyTrak Series, PolyTrak Box, 2-Gang,
2.44" Deep



Features

- Reduces inventory requirements
- Eliminates need to order three separate boxes
- Boxes available in low, standard and deep profiles

Performance

Environmental - Flame Rating - UL94V-0, Environmental -
Temperature Range - -25.6° to 158° F

Specifications

Industry Standard(s)	<ul style="list-style-type: none">• CSA Standard C22.2 no. 62• E118895 / E119190• UL Standard UL 5A
EU RoHS Indicator	Contact Manufacturer
Standards - RoHS Compliance	CM
Status	

Configuration

Number of Gang(s)	2-Gang
-------------------	--------

General

Item Type	PW2 WallTrak, PL1 LANTrak and PP1 PremiseTrak (Latching)
-----------	---

Type
Series

Specifications

UPC
Style
Color

Logistics

Carton Quantity

Series

Boxes

- PP1
- PL1
- PW2
- Crush Resistance - 300 lbs.
- Impact Resistance - 5 ft. lbs.
- Material - UV Stabilized PVC
- Style - 2-Gang

783585090412

Deep

Office White

5

Product Assets

- [Catalog \[English\]](#)
- [Catalog \[English\]](#)
- [Catalog Page \[English\]](#)
- [Catalog Page \[English\]](#)
- [Catalog Page \[English\]](#)
- [Catalog Page \[English\]](#)