

Hub City™ Bevel Gear Drives

Models AD3, AD4, AD5

Features

- Cast aluminum housing designed to resist corrosion and provide rigid gear and bearing support.
- Stainless steel or chrome plated shaft provide resistance to corrosion.
- Precision ball bearings to accommodate higher operating speeds.
- Spiral bevel (SP) gearing to assure low noise level at higher operating speeds.
- Permanently lubricated at factory to assure trouble free service.
- Universal mounting (5 surfaces) to assure maximum design flexibility.
- Metric versions available. (Refer to page D-56)



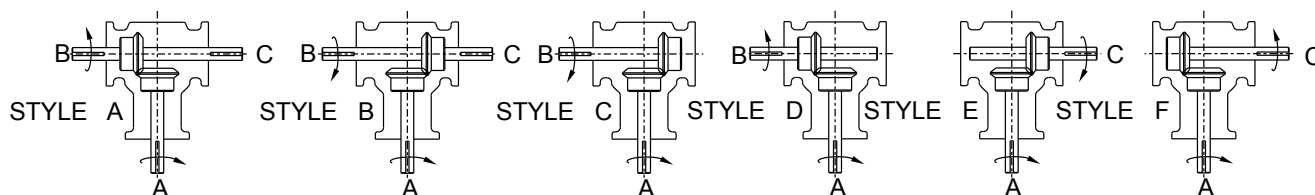
Rating Table

INPUT RPM†		MODEL AD4 RATIO		MODEL AD5 RATIO		MODEL AD3 RATIO	
		1:1 SP	2:1 SPΔ	1:1 SP	2:1 SPΔ	1:1 SP	2:1 SPΔ
3600	INPUT HORSEPOWER	1.810	.525	4.310	2.120	10.250	3.820
	OUTPUT TORQUE IN. LBS.	31.700	18.400	75.500	74.200	179.560	133.800
2400	INPUT HORSEPOWER	1.240	.356	2.950	1.450	7.100	2.620
	OUTPUT TORQUE IN. LBS.	32.500	18.700	77.400	76.100	186.400	137.600
1750	INPUT HORSEPOWER	.913	.262	2.190	1.070	5.270	1.960
	OUTPUT TORQUE IN. LBS.	32.900	18.900	78.700	77.200	189.700	141.000
1150	INPUT HORSEPOWER	.609	.176	1.470	.720	3.550	1.320
	OUTPUT TORQUE IN. LBS.	33.400	19.300	80.300	78.600	194.800	144.400
850	INPUT HORSEPOWER	.457	.131	1.100	.540	2.670	.990
	OUTPUT TORQUE IN. LBS.	33.900	19.500	81.300	79.400	198.000	146.800
690	INPUT HORSEPOWER	.374	.108	.900	.440	2.190	.810
	OUTPUT TORQUE IN. LBS.	34.200	19.700	81.900	80.000	200.100	148.200
400	INPUT HORSEPOWER	.220	.064	.530	.260	1.300	.480
	OUTPUT TORQUE IN. LBS.	34.700	20.000	83.300	81.200	204.800	151.200
200	INPUT HORSEPOWER	.112	.033	.270	.130	.670	.250
	OUTPUT TORQUE IN. LBS.	35.100	20.300	84.700	82.400	209.400	154.400
100	INPUT HORSEPOWER	.057	.016	.140	.070	.340	.130
	OUTPUT TORQUE IN. LBS.	35.600	20.500	85.800	83.200	212.900	156.600

†FOR HIGHER INPUT SPEEDS CONSULT FACTORY

Δ2:1 RATIO HAS PLATED PINION SHAFTS

Standard Styles Available

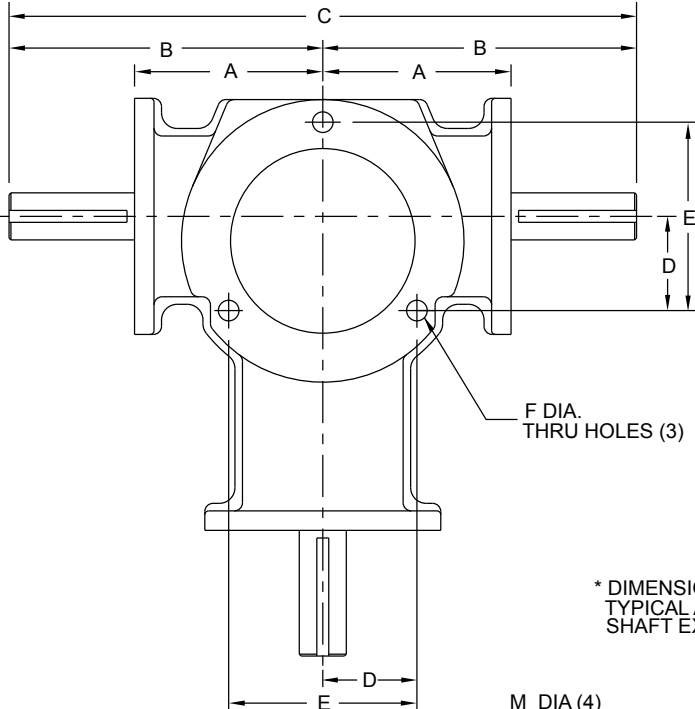


CONSULT FACTORY FOR VERTICAL SHAFT LUBRICATION RECOMMENDATIONS

INPUT SHAFT CAN BE ROTATED IN EITHER DIRECTION

Hub City™ Bevel Gear Drives

Models AD3, AD4, AD5



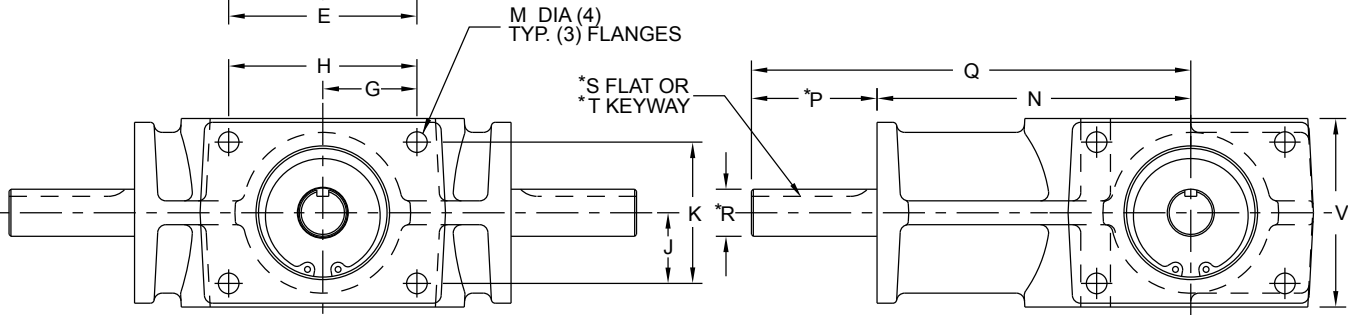
ALLOWABLE SHAFT LOADS ALL RATIOS AND SHAFTS

MODEL NO.	OVERHUNG LOAD**	THRUST LOAD
AD 3	100 lbs.	200 lbs.
AD 4	25 lbs.	50 lbs.
AD 5	50 lbs.	100 lbs.

** ASSUMES LOAD AT MIDPOINT OF SHAFT EXTENSION

FOR LUBRICATION AND INSTALLATION INSTRUCTIONS - REFER TO SECTION M

* DIMENSIONS TYPICAL ALL SHAFT EXTENSIONS



DIMENSIONS SHOWN ARE FOR REFERENCE ONLY.

DOWNLOAD AVAILABLE CAD MODELS AT: WWW.HUBCITYINC.COM

SHIPPING WEIGHTS

MODEL AD3	8-1/4 lbs.
MODEL AD4	1/2 lb.
MODEL AD5	2 lbs.

INPUT SHAFT CAN BE ROTATED IN EITHER DIRECTION

MODEL NO.	A	B	C	D	E	F	G	H	J	K	M
AD3	3	5	10	1.500	3.000	21/64	1.500	3.000	1.125	2.250	21/64
AD4	1-3/8	1-63/64	3-61/64	.656	1.312	13/64	.594	1.188	.438	.875	11/64
AD5	2-1/8	3-5/8	7-1/4	.937	1.875	17/64	.937	1.875	.687	1.375	17/64

MODEL NO.	N	P	Q	R	S	T	V
AD3	5	2	7	.750/.749	—	3/16 X 3/32 1-9/16 EFF. LGTH.	3.005/3.000
AD4	2-5/32	19/32	2-3/4	.3745/.3740	1/32 DEEP	.60 EFF. FLAT	1.255/1.250
AD5	3-1/4	1-1/2	4-3/4	.6245/.6240	—	3/16 X 3/32 1-7/32 EFF. LGTH.	2.005/2.000