

Removable Hinge Quick-Release Latch Contoured Type 12, 8x6x4, Gray, Steel

CATALOG NUMBER

A864DL



Featuring a quick-release latch, mounting brackets, rounded corners and an attractive finish, this enclosure can be used in applications where panel or cover mounting of controls is desired. Ideal for protecting equipment from indoor contaminants.

INDUSTRY STANDARDS

UL 508A Listed; Type 12, 13; File No. E61997

cUL Listed per CSA C22.2 No. 94; Type 12, 13; File No. E61997

NEMA/EEMAC Type 12 and 13

IEC 60529, IP65

FEATURES

Drawn enclosure

No welded seams or sharp corners

Removable door with unique lift-off hinges

Cover is removable and interchangeable

Quick-release latches

Oil-resistant gasket

Weldnuts provided for mounting optional panels and terminal

External wall-mounting brackets for easy installation

Bonding provision on door

PRODUCT ATTRIBUTES

Article Number: 60000

Height (H): 8in

Width (W): 6in

Depth (D): 4in

Material: Mild Steel

Finish: Powder Coated

Color: Gray

Color Code: ANSI 61

Thickness (T): 16ga

Mounting (G x H): 8.50 x 4.12in

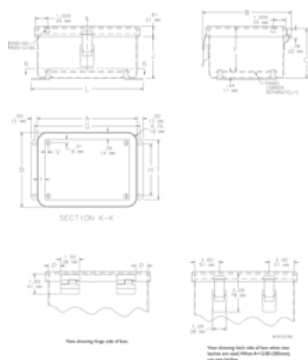
Overall Dimensions (L x W): 9.00 x 7.12in

Weight: 4.2lb

ADDITIONAL PRODUCT DETAILS

Purchase panels separately. Optional stainless steel, conductive, composite and aluminum panels are available for most sizes.

DIAGRAMS



WARNING

nVent products shall be installed and used only as indicated in nVent's product instruction sheets and training materials. Instruction sheets are available at www.nvent.com and from your nVent customer service representative. Improper installation, misuse, misapplication or other failure to completely follow nVent's instructions and warnings may cause product malfunction, property damage, serious bodily injury and death and/or void your warranty.



Our powerful portfolio of brands:

CADDY ERICO HOFFMAN ILSCO SCHROFF TRACHTE