



Quality Products. Service Excellence.

900-1200 BTU/H Outdoor Air Conditioner *DTS Series*

Type 3R, 4, Side Mounting



Description

- Designed for side mounting on any enclosure surface where high capacity system cooling is required.
- Closed loop cooling ensures clean enclosure air is recirculated without ever mixing with contaminated ambient air.
- Optimum air circulation with maximum clearance distance between warm inlet and cold outlet for reduced hot spot locations.
- Air conditioners are shipped separately and installed on site.

Standards

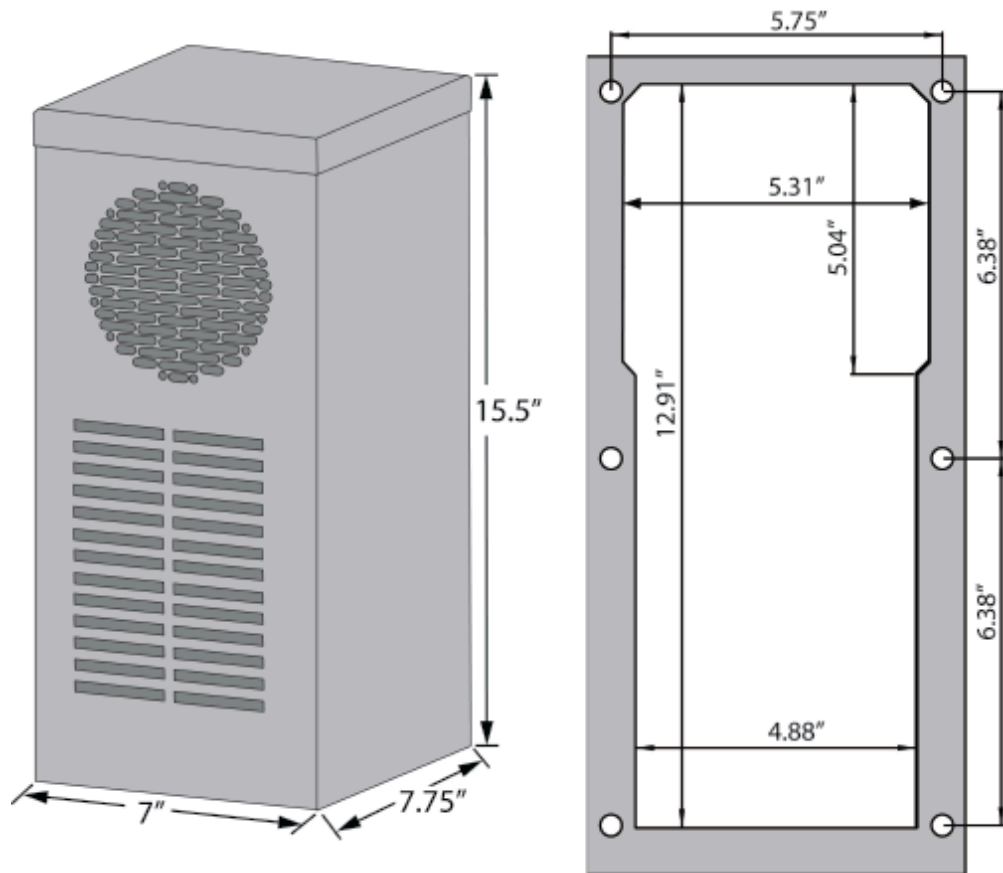
- UL, cUL, CE
- Complies with
 - IP56
 - NEMA 3R, 4

Features

- R134a refrigerant.
- Thermostat control accessible from inside enclosure.
- Expansion valve prevents evaporator freeze up while minimizing heavy inrush currents on large BTU/H units.
- Direct condensate discharge via 1/4" NPT threaded port.
- Continuous air circulation from high capacity fans.
- EMI/RFI suppression meets CE.
- Provision for door contact allowing power down when enclosure door is opened.
- Gasket, mounting kit and template for enclosure cutout and drilling are included.
- Washable aluminum mesh filter.

Accessories

- Remote Door Switches
- Gasket Kits
- Filter Kits
- Water Condensate Evaporator



Part No.	Overall Dimensions		
	H	W	D
DTS3031A115N3LG	15.50	7.00	7.75
DTS3031A230N3LG	15.50	7.00	7.75

* For ANSI 61 Gray replace LG with GY

Electrical Data	DTS3031A115N3LG	DTS3031A230N3LG
Rated Voltage	115 V 60 Hz	230 V 50/60 Hz
Range of Operation	103- 127 V	207-253 V
Power Consumption	243 W	253 W
Running Amps	2.1 A	1.1 A
Starting Current	10	5
Line Cord	With Plug	With Plug

Refrigeration Data	
Cooling Capacity BTU (Watts) +95/95 F +35/+35 C	1194 BTU/h (350 Watts)
Type of Refrigerant	R134a
Refrigeration Charge	145 g
Adjustable Control Range	+50F..104F / +10C..+40C Factory setting +95F/+35C
Max Ambient Air Temp	+114F (+45C)
Min Ambient Air Temp	+46F (+8C)
Air Capacity (unrestricted)	Internal 37 CFM External 99 CFM
Condensation Discharge	Condensate Drain
Filter Mat	Aluminum Mesh
Db noise level	<64 db
Unit Weight	30 lbs (13.6kg)
Exterior Case	Galvanized sheet metal
Finish LG	RAL7035 light Gray
Finish GY	ANSI 61 Gray
Nema Rating	enclosures IP54 / NEMA 12

Tags: DTS, air conditioner, cooler, outdoor, high capacity, 1200 BTU, side mounting, NEMA 3R, Type 3R, NEMA 4, Type 4 *Data subject to change without notice*

