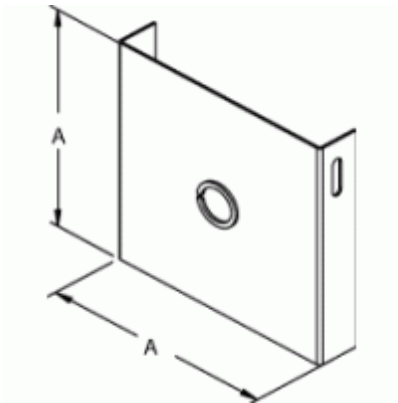




Quality Products. Service Excellence.

Closing Plate *CWCP Series*



- Comes complete with dual KO - 1/2" and 3/4" conduit

Painted Steel

| Part No. | For use with | H | W |
|----------|--------------|-------|-------|
| CWCP2 | 2.5 x 5.5 | 2.40 | 2.40 |
| CWCP4 | 4 x 4 | 3.90 | 3.90 |
| CWCP6 | 6 x 6 | 5.90 | 5.90 |
| CWCP8 | 8 x 8 | 7.90 | 7.90 |
| CWCP10 | 10 x 10 | 9.90 | 9.90 |
| CWCP12 | 12 x 12 | 11.90 | 11.90 |

Unpainted Galvanized

| Part No. | For use with | H | W |
|----------|--------------|-------|-------|
| CWCP2G | 2.5 x 5.5 | 2.40 | 2.40 |
| CWCP4G | 4 x 4 | 3.90 | 3.90 |
| CWCP6G | 6 x 6 | 5.90 | 5.90 |
| CWCP8G | 8 x 8 | 7.90 | 7.90 |
| CWCP10G | 10 x 10 | 9.90 | 9.90 |
| CWCP12G | 12 x 12 | 11.90 | 11.90 |



Tags: CW, wireway, closure plate, knockout

Data subject to change without notice



© 2026. Hammond Manufacturing Ltd. All rights reserved.