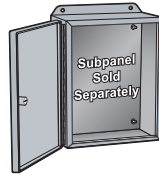


NEMA 3R Painted Galvanized Steel Single-Door Wall-Mount with Knockouts



Applications

- Designed for use as a wiring/junction box.
- Provides protection against rain, sleet, snow and dripping water.

Construction

- Formed and spot welded from 16- or 14-gauge galvanized steel.
- Drip-shield top and seam-free sides, front and back.
- Galvanized steel hinge has stainless steel pin.
- Provisions for padlocking on zinc-plated quick-release latch.
- Easily removed knockouts on bottom of enclosure. See drawings for sizes and locations.
- Panel studs provided for mounting optional panels.
- External mounting feet.
- Oil resistant gaskets are permanently secured.

Finish

- Enclosure and cover are finished in ANSI 61 gray powder coating.

Listings

- UL-50 Type 3R [UL File E65324]
- CSA Type 3R [CSA File LR2001]
- Complies with
 - NEMA Type 3R
 - IEC 60529, IP24



Shipping Schedule

Same day

1 - 15 days

Color indicates shipping lead time in business days.

NEMA 3R Painted Galvanized Steel Enclosure Single-Door Wall-Mount with Knockouts

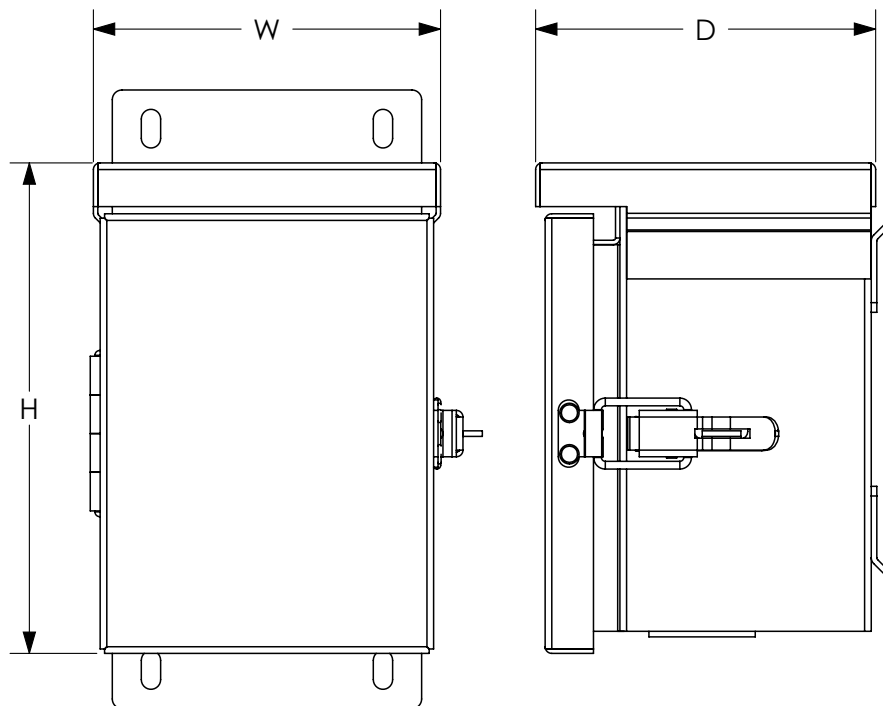
Part Number	Price	Enclosure Size HxWxD	Drawing Link	Bottom Knockout Pattern	Optional Subpanels	
					Painted	Perforated
C3R644HCR	\$68.00	6.33 x 4.31 x 4.34 [161 x 109 x 110]	PDF	Y-Z	N1JP64	—
C3R664HCR	\$55.00	6.33 x 6.31 x 4.34 [161 x 160 x 110]	PDF	Y-Z-Y	N1JP66	N1JP66PP
C3R864HCR	\$61.00	8.33 x 6.31 x 4.34 [212 x 160 x 110]	PDF	Y-Z-Y	N1JP86	N1JP86PP
C3R886HCR	\$77.00	8.33 x 8.31 x 6.34 [212 x 211 x 161]	PDF	Y-Z-Y-Z	N1JP88	N1JP88PP
C3R1086HCR	\$85.00	10.33 x 8.31 x 6.34 [262 x 211 x 161]	PDF	Y-Z-Y-Z	N1JP108	N1JP108PP
C3R12106HCR	\$103.00	12.33 x 10.31 x 6.34 [313 x 262 x 161]	PDF	Z-Y-Z-Y-Z	N1JP1210	N1JP1210PP
C3R12126HCR	\$113.00	12.33 x 12.31 x 6.34 [313 x 313 x 161]	PDF	Z-Y-Z-Y-Z	N1JP1212	N1JP1212PP
C3R121210HCR	\$226.00	12.33 x 12.31 x 10.34 [313 x 313 x 263]	PDF	Z-Y-Z-Y-Z	N1JP1212	N1JP1212PP

Note: Dimensions in inches [millimeters].

NEMA 3R Painted Galvanized Steel Single-Door Wall-Mount with Knockouts



Dimensions

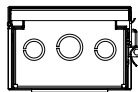


TYPICAL SIZES AND SPACING

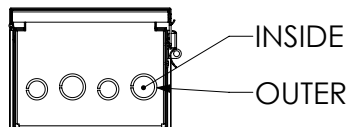
SIZE & DISTANCE INFORMATION			
ID	INNER KNOCK-OUT	OUTER KNOCK-OUT	☒ DISTANCE
Y	0.88 Ø	1.13 Ø	1.88 TYPICAL
Z	1.13 Ø	1.38 Ø	



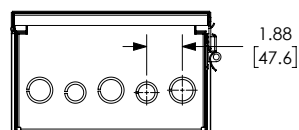
Y Z



Y Z Y



Y Z Y Z



Z Y Z Y Z