



Quality Products. Service Excellence.

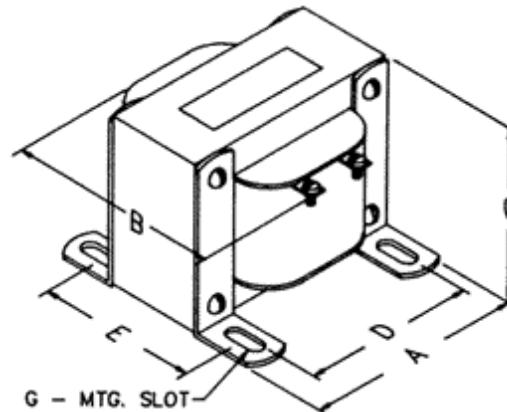
# Heavy Current Chassis Mount 195-196 Series

## Features



- Open core & coil, 4-slot bracket mounting chokes
- Tolerance of 15% on both inductance & resistance
- Storage: -40C to 105C temperature range
- Operating: -40C to 85C temperature range
- Inductances measured at rated D.C. current
- The "195" series is single coil
- The "196" series is dual coil - allowing more versatility
- Recommended maximum operating voltage 600 VAC (winding to core)
- Hipot tested at 2,500 VAC
- Connections are made to a screw terminal or heavy copper tabs with holes
- Perfect for high current power supply filtering
- All chokes are UL approved under **Type 3AH**, E207860, 30V7
- For AC applications 60 Hz to 10,000 Hz try our **197 Series**

**ASK ABOUT**  
**Custom**  
**Transformers**  
**& Chokes**



## 195 Series

Part No.	Inductance mH (Millihenries)	D.C. Current (Amps)	Insulation Class	Dimensions					Mounting Slot		Weight (lbs.)	
				A	B	C	D	E	G			
195A200	0.3	200	-	7.50	7.00	6.50	6.00	5.25	0.28	x	0.56	46
195A300	0.1	300	B	7.50	7.00	6.38	6.00	5.25	0.37	x	1.00	46
195B100	0.5	100	-	6.38	6.25	5.38	5.25	4.13	0.28	x	0.56	31
195B150	0.5	150	B	5.25	5.50	4.47	4.38	4.13	0.28	x	0.56	26
195C20	1	20	A	3.00	3.06	2.50	2.50	2.25	0.20	x	0.38	3
195C30	1	30	A	3.75	3.85	3.13	3.13	2.50	0.20	x	0.38	6
195C50	1	50	A	4.50	5.25	3.75	3.75	3.50	0.20	x	0.38	14.5
195C75	1	75	A	5.25	6.00	4.47	4.38	4.63	0.28	x	0.56	23
195C100	1	100	B	5.25	6.50	4.47	4.38	5.13	0.28	x	0.56	26
195D50	1.4	50	-	6.38	5.50	5.38	5.25	3.88	0.28	x	0.56	28
195E20	2.5	20	A	3.75	4.20	3.13	3.13	2.75	0.20	x	0.38	6.5
195E30	2.5	30	A	4.50	5.25	3.75	3.75	3.50	0.20	x	0.38	12.5

Part No.	Inductance mH	D.C. Current	Insulation	Dimensions					Mounting Slot			Weight (lbs.)
	(Millihenries)	(Amps)	Class	A	B	C	D	E	G			
195E50	2.5	50	A	5.25	6.00	4.47	4.38	4.63	0.28	x	0.56	23.5
195E75	2.5	75	B	6.00	6.63	5.16	5.00	4.88	0.28	x	0.56	32.5
195E100	2.5	100	B	9.00	9.75	7.50	7.00	6.00	0.44	x	0.75	88
195F30	4	30	-	6.38	5.00	5.38	5.25	3.25	0.28	x	0.56	23
195G10	5	10	A	3.75	3.60	3.13	3.13	2.25	0.20	x	0.38	5.5
195G20	5	20	A	4.50	4.75	3.75	3.75	3.00	0.20	x	0.38	10.5
195G25	5	25	-	5.25	6.00	4.44	4.38	3.63	0.28	x	0.56	18
195G30	5	30	A	5.25	5.00	4.47	4.38	3.63	0.28	x	0.56	16
195G50	5	50	B	7.50	6.50	6.25	6.00	4.50	0.38	x	0.63	38
195G75	5	75	B	9.00	9.50	7.76	7.00	7.00	0.44	x	0.75	87
195H20	7	20	-	5.25	6.00	4.44	4.38	3.63	0.28	x	0.56	17
195J10	10	10	A	3.75	4.35	3.13	3.13	3.00	0.20	x	0.38	8
195J12	10	12.5	B	4.12	3.25	3.44	3.44	2.34	0.20	x	0.38	-
195J20	10	20	A	5.25	5.00	4.47	4.38	3.63	0.28	x	0.56	17.5
195J30	10	30	A	6.00	7.50	5.00	5.00	5.88	0.31	x	0.50	36
195J50	10	50	B	9.00	9.75	7.50	7.00	6.25	0.44	x	0.75	79
195K12	15	12	-	5.25	5.50	4.44	4.38	3.13	0.28	x	0.56	14
195K16	15	16	-	5.25	6.00	4.44	4.38	3.63	0.28	x	0.56	17
195M10	20	10	A	4.50	4.75	3.75	3.75	3.00	0.20	x	0.38	10.2
195M20	20	20	A	6.00	7.50	5.00	5.00	5.88	0.31	x	0.50	34
195M30	20	30	B	6.00	7.63	5.16	5.00	5.88	0.28	x	0.56	41
195P5	30	5	A	3.75	4.20	3.13	3.13	2.75	0.20	x	0.38	6.5
195P8	30	8	-	4.12	3.75	3.50	3.43	3.00	0.20	x	0.38	-
195P10	30	10	A	4.50	5.25	3.75	3.75	3.50	0.20	x	0.38	16
195P20	30	20	B	5.25	6.91	4.47	4.38	5.54	0.28	x	0.56	28
195Q2	35	2	B	2.63	2.00	2.21	2.19	1.75	0.19	x	0.38	-
195Q6	40	6	-	3.75	3.62	3.25	3.12	3.00	0.20	x	0.38	-
195R10	50	10	A	5.25	5.50	4.47	4.38	4.13	0.28	x	0.56	26
195R20	50	20	B	9.00	8.25	7.50	7.00	5.75	0.44	x	0.75	72
195S2	70	2	-	3.37	2.75	2.87	2.81	2.12	0.20	x	0.38	-
195S4	70	4	-	3.75	3.25	3.13	3.13	2.50	0.20	x	0.38	-
195T1	100	1	-	3.00	2.50	2.50	2.50	2.00	0.20	x	0.38	-
195T5	100	5	A	4.50	5.25	3.75	3.75	3.50	0.20	x	0.38	14
195T10	100	10	B	7.50	6.00	6.25	6.00	4.25	0.38	x	0.63	35

### 196 Series - Dual Coil - Heavy Current Chokes

Part No.	Parallel Connected		Series Connected		Resistance	Insulation Class	Overall Dimensions					Mounting Slot	Weight (lbs.)
	Inductance mH (Millihenries)	D.C. Current (Amps)	Inductance mH (Millihenries)	D.C. Current (Amps)	(Each Winding) (Ohms)		A	B	C	D	E	G	
196B50	0.125	100	0.5	50	0.018	-	4.50	4.50	3.75	3.75	3.00	0.28 x 0.56	8.00
196D25	0.3	50	1.2	25	0.006	-	3.75	4.25	3.13	3.13	2.75	0.28 x 0.56	6.45
196G12	1.2	24	4.8	12	0.024	-	3.38	3.56	2.81	2.81	3.00	0.20 x 0.38	6
196K6	3	12	12	6	0.052/0.056	-	3.37	3.06	2.81	2.81	2.50	0.20 x 0.38	4.45
196M4	5	8	20	4	0.11	-	3.00	2.87	2.50	2.50	2.50	0.20 x 0.38	3.3
196Q2	10	4	40	2	0.24	-	3.12	2.12	2.75	2.81	-	0.19	1.85
196S1	18	2	72	1	0.553	-	2.00	2.00	2.31	2.38	-	0.19	1.4

Tags: choke, heavy current, chassis mount, open core, single coil, double coil

Data subject to change without notice

