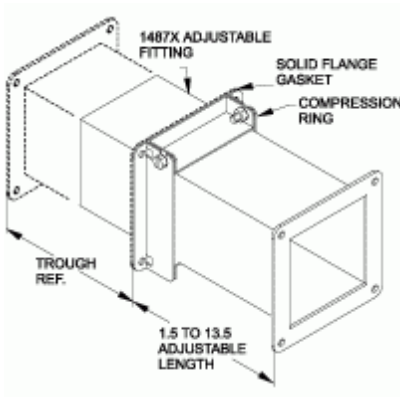




Quality Products. Service Excellence.

Adjustable Fitting 1487X Series



- Allows on site length adjustment of 1.5" to 13.5"

Part No.	Size
1487BX	2.5 x 2.5
1487CX	4 x 4
1487DX	6 x 6
1487EX	8 x 8

Does not meet CSA or UL requirements

Tags: adjustable fitting, telescoping, 1487, wireway

Data subject to change without notice



© 2026. Hammond Manufacturing Ltd. All rights reserved.