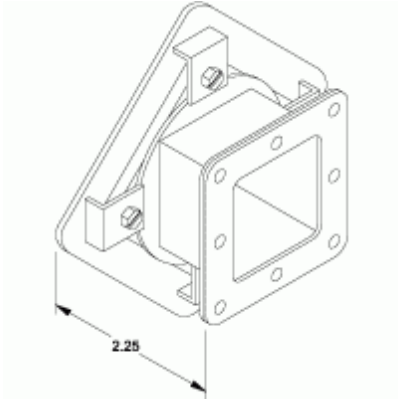




Quality Products. Service Excellence.

Swivel Nipple 1487V Series



| Box Entry Swivel Nipple Part No. | Standard Swivel Nipple Part No. | Size |
|-------------------------------------|------------------------------------|-----------|
| 1487BV1 | 1487BV2 | 2.5 x 2.5 |
| 1487CV1 | 1487CV2 | 4 x 4 |
| 1487DV1 | 1487DV2 | 6 x 6 |
| 1487EV1 | 1487EV2 | 8 x 8 |

Tags: nipple, swivel nipple, adjustable, wireway, 1487

Data subject to change without notice



© 2026. Hammond Manufacturing Ltd. All rights reserved.