



□ **G1992** Safety Station with Eyewash, All-PVC Construction

Application: All-PVC combination eyewash and shower safety station. Unit is constructed entirely of PVC and PVC-coated components for superior corrosion resistance. Ideal for industrial environments where harsh acids or caustics are present. Two GS-Plus™ spray-type outlet heads deliver a flood of water for rinsing eyes.

Shower Head: 10" diameter orange ABS plastic.

Shower Valve: 1" IPS PVC-coated brass stay-open ball valve. Valve is US-made with chrome plated brass ball and Teflon® seals. Furnished with stainless steel actuating arm and 29" stainless steel pull rod.

Spray Head Assembly: Two GS-Plus™ spray heads. Each head has a "flip top" dust cover, internal flow control and filter to remove impurities from water.

Eyewash Bowl: 11-1/2" orange ABS plastic.

Eyewash Valve: 1/2" IPS PVC-coated brass stay-open ball valve. Valve is US-made with chrome plated brass ball and Teflon® seals.

Pipe and Fittings: Schedule 80 PVC.

Supply: 2" IPS socket weld top female inlet.

Waste: 2" IPS socket weld female outlet.

Sign: Furnished with ANSI-compliant identification sign.

Quality Assurance: Valve and spray head assemblies are factory assembled and water tested prior to shipment.

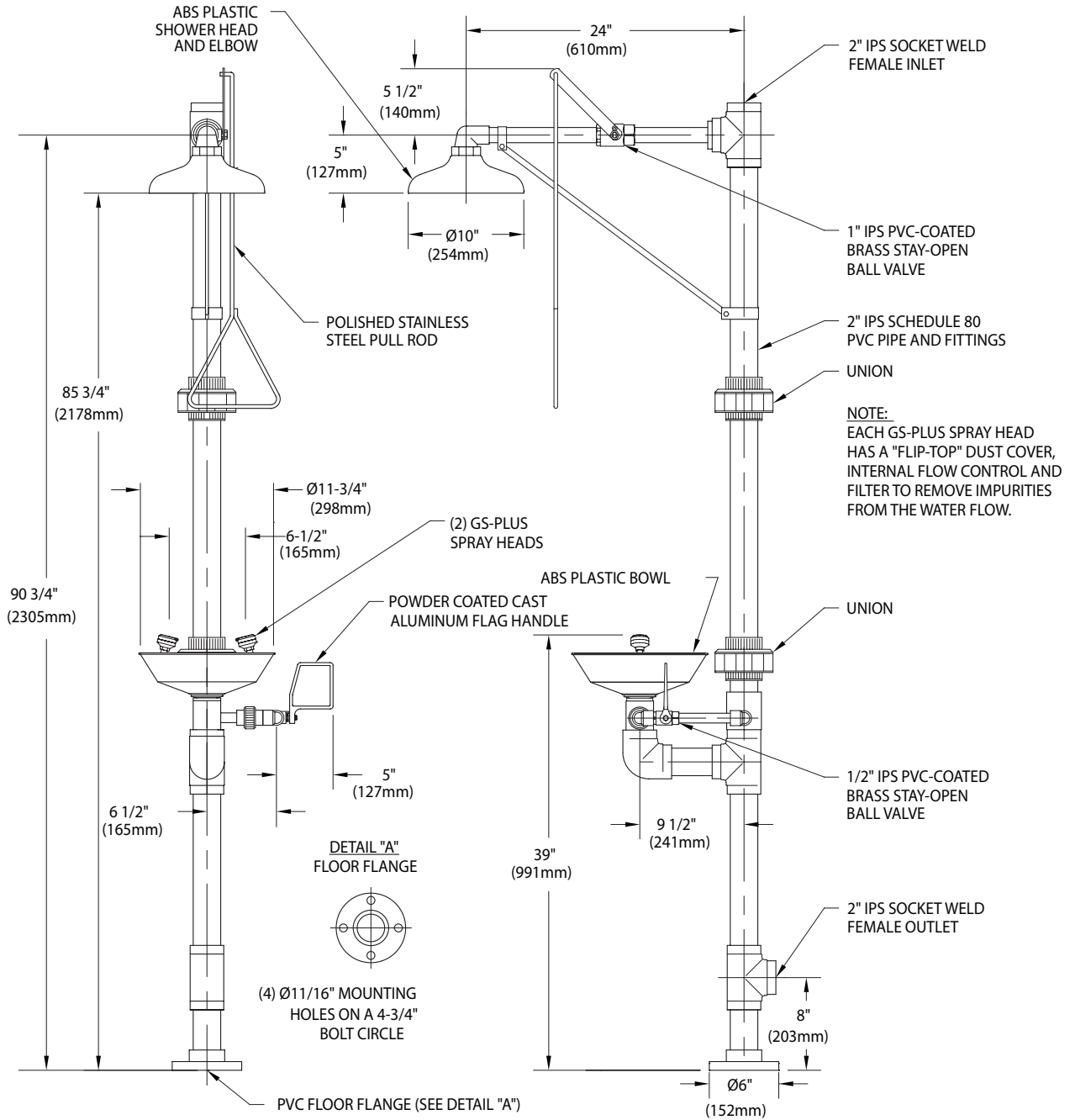
Available Options

- **FC20** Regulates shower flow rate to 20 GPM.
- **GRN** Green ABS plastic shower head and bowl.
- **YEL** Yellow ABS plastic shower head and bowl.
- **SSH** Stainless steel shower head.
- **AP275-100 Electric Light and Alarm Horn**
Light and alarm horn summon assistance when eyewash or shower is activated.
- **TMV** G3800LF thermostatic mixing valve precisely blends hot and cold water to deliver warm (tepid) water as required by ANSI Z358.1-2014.





□ G1992 Safety Station with Eyewash, All-PVC Construction



THIS SPACE FOR ARCHITECT/ENGINEER APPROVAL

Due to continuing product improvement, the information contained in this document is subject to change without notice. All dimensions are ± 1/4" (6mm). rev. 0115

Sign Included



Guardian Equipment
1140 N North Branch St
Chicago, IL 60642

312 447 8100 TELEPHONE
312 447 8101 FACSIMILE
gesafety.com

Listed 8116. Units have been tested to and comply with ANSI Z358.1-2014 and the Uniform Plumbing Code.



ETL Listed 101496. Units have been tested to and comply with ANSI Z358.1-2014.

