

# QM40 SERIES

## ALUMINUM OVAL GEAR FLOW METER

**GPRO**<sup>®</sup>  
PROFESSIONAL GRADE  
PERFORMANCE



The **GPRO<sup>®</sup> QM40 Mechanical Fuel Flow Meter** is designed for use with pump systems with a flow range of 2 to 40 GPM (8-150 L/min). This oval gear positive displacement flow meter provides precision fuel measurements and accurate readings for fleet operations, heavy equipment, and agricultural applications. It features a magnetic drive mechanism that prevents leaks and reduces drag which allows for more accurate readings. The QM40 easily attaches to modular fuel transfer pumps and filter adapters with the Quick-Fit modular feature, a simple four-bolt connection.

### SPECIFICATIONS

<b>Technology:</b>	Oval Gear
<b>Line Size:</b>	1 in.
<b>Accuracy (% of Reading):</b>	± 0.5% across flow range
<b>Material Housing:</b>	Corrosion-Resistant Aluminum
<b>Fitting Type:</b>	NPT (Female)
<b>Flow Range:</b>	2-40 GPM (8-150 L/min)
<b>Pressure Rating:</b>	50 psi (3.45 bar)
<b>Operating Temperature:</b>	-20°F to 125°F (-29°C to 52°C)
<b>Wetted Materials:</b>	
<b>Housing/Cover/Fittings:</b>	Corrosion-Resistant Die-cast Aluminum
<b>Rotors:</b>	PPS (Polyphenylene Sulfide)
<b>Shafts/Strainer:</b>	Stainless Steel
<b>Seals:</b>	NBR (Nitrile Butadiene Rubber)
<b>Mag-Drive:</b>	Acetal, Stainless Steel and Neodymium (Nickle Plated)

### FEATURES / BENEFITS

- Oval gear technology is within ± 0.5% across a flow range from 2 to 40 GPM.
- Register rotates to read easily in any application; four-digit display, twist knob reset
- Magnetic Drive eliminates drive shaft leaks
- Simple four-bolt flange connections allow the flow meter to be mounted in multiple directions. Connections are designed to bolt directly to the GPI<sup>®</sup> Quick-Fit Filter adapter, a GPI<sup>®</sup> Modular Pump or a GPRO<sup>®</sup> Modular Pump
- Threaded inlet and outlet adapters are included with each flow meter to accommodate installation with pipe fittings.

### APPLICATIONS (Typical application but not limited to)

- Fuel Transfer
- Fuel Products

### APPROVALS / WARRANTY

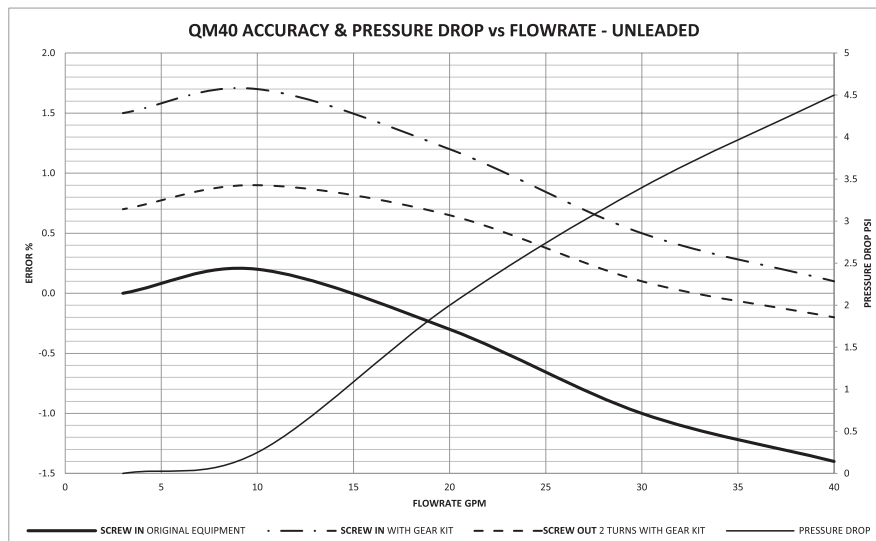
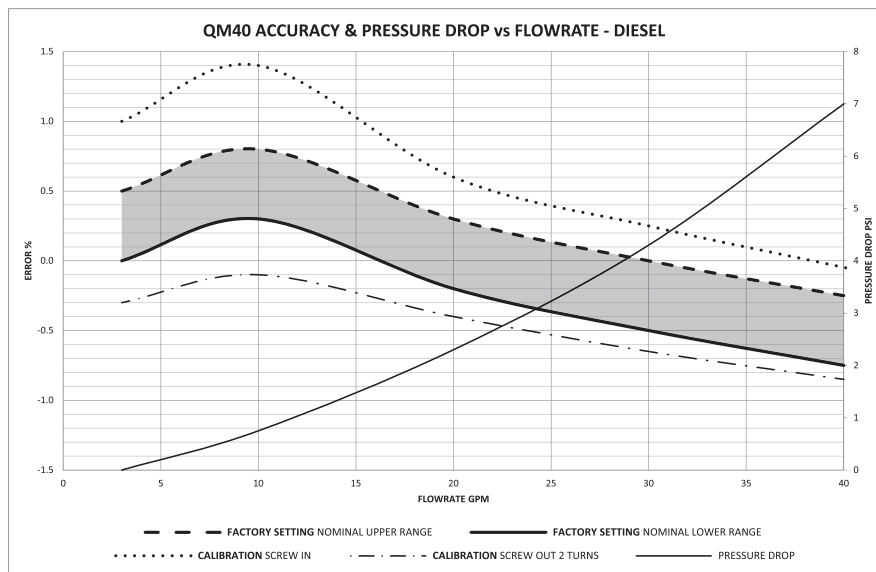
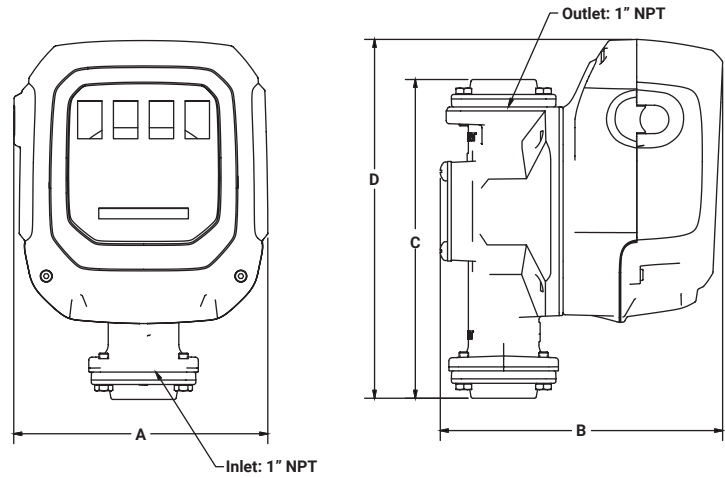


# QM40 SERIES

## ALUMINUM OVAL GEAR FLOW METER

### DIMENSIONS

Dimension "A"	Dimension "B"	Dimension "C"	Dimension "D"
6.4 in. (16.3 cm)	7.1 in. (18 cm)	8 in. (20.3 cm)	9 in. (22.9 cm)



\*A gear replacement kit is available (P/N 139500-15) to convert the meter to unleaded fuels. Replacement gear kit will adjust entire flow curve up 1.5%.