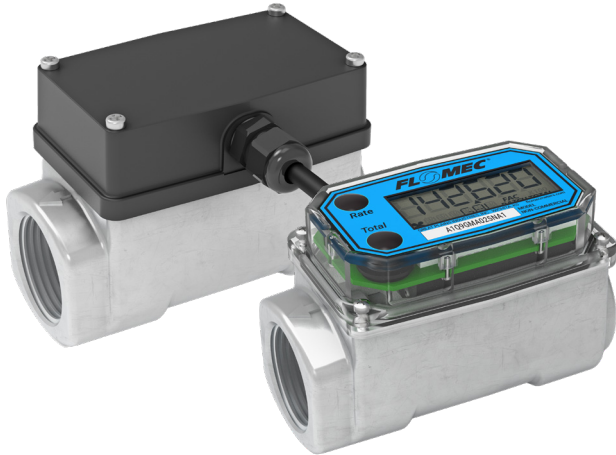


A1 SERIES LOW FLOW ALUMINUM PADDLEWHEEL FLOW METER



FLOMEC® A1 Series Paddlewheel Flow Meter for accurate measurement of thin petroleum-based fluid applications. For low flow applications: 0.30-3 GPM (1 to 11 L/min). Accuracy can vary up to $\pm 5\%$ depending on installation and fluid type. Field calibration is recommended for best accuracy. The A1's lightweight, compact design allows for easy installation.

A1A-10-N-L-Q MODEL WITH DISPLAY

A1 Aluminum with Q9 Display is designed as a self-contained, battery-powered unit. Intrinsically safe for use in hazardous areas.[†]

FEATURES / BENEFITS

- Unique package combines Paddlewheel and LCD into a self-contained, compact, economical meter
- Local Display Computer features: 2 Non-Volatile Totals (Batch Total = Resettable, Total = Non-resettable) and Rate of Flow
- Output capabilities available to communicate with process control equipment
- 12 selectable engineering units (gallons or liters are standard defaults)
- Factory calibration
- AAA Alkaline battery life: 2 years

A1A-10-N-L-P MODEL (BLIND)

A1 Aluminum with Conditioned Signal Output Module (Blind). Conditioned signal module is not FM approved. The conditioned signal output module is not intrinsically safe, and not approved for use in hazardous areas.

FEATURES / BENEFITS

- Provides an NPN Open Collector pulse that can communicate with most process control devices
- Modular design allows for use with output modules, sensors, and remote display kits; plug and play
- External 9 to 35 V (DC), approximately 1mA
- 10 ft. (3 m) 3-wire with strain relief
- Factory calibration

APPLICATIONS (Typical application but not limited to)

- Fuel Transfer
- Batching / Blending
- Fuel Products

SPECIFICATIONS

Technology:	Paddlewheel	
Line Size:	1 in.	
Accuracy (% of Reading):	Application Dependent [†]	
Repeatability:	$\pm 1.0\%$	
Material Housing:	Corrosion-Resistant Aluminum	
Fitting Type:	NPT (Female)	
Flow Range:	0.30-3 GPM (1-11 L/min)	
Pressure Rating:	300 psi (21 bar)	
Operating Temperature:	-40°F to 250°F (-40°C to 121°C)	
<i>w/ Safe Area Only Display:</i>	0°F to 140°F (-18°C to 60°C)	
<i>w/ Intrinsically Safe Display:</i>	0°F to 129°F (-18°C to 54°C)	
Typical K-Factor:	2,200 PPG (581 Pulses/L)	
Wetted Materials:	Housing:	Aluminum
	Bearings:	Ceramic (96% Alumina)
	Shaft:	Tungsten Carbide
	Rotor:	Nylon
	Rings:	316 Stainless Steel
Out Frequency:	11-110 Hz @ 0.30-3 GPM (1-11 L/min)	
Recommended Filtration:	120 mesh (120 μm)	
Calibration Report:	Comes standard with A1 Series flow meters.	
	N.I.S.T. – Certification available.	

[†]Accuracy can vary up to $\pm 5\%$ depending on installation and fluid type. Field calibration is recommended for best accuracy.

APPROVALS[†] / WARRANTY



[†]If the flow meter includes any modules (4-20mA and Pulse Out) that introduces external power, then all intrinsic safety approvals are voided.



Wichita · Sydney

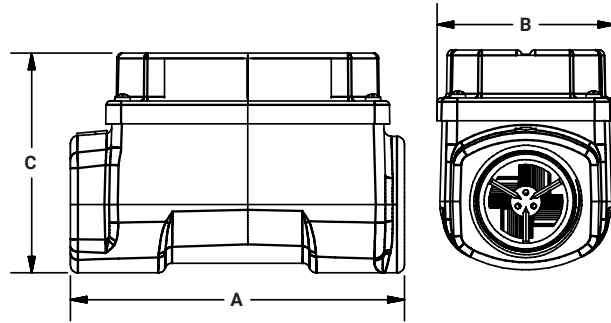
GREAT PLAINS INDUSTRIES



A1 SERIES LOW FLOW ALUMINUM PADDLEWHEEL FLOW METER

DIMENSIONS

Dimension "A"	Dimension "B"	Dimension "C"
4.0 in. (10.2 cm)	2.0 in. (5.08 cm)	2.5 in. (6.4 cm)



ACCESSORIES

113275-10

FM Approved* Remote Kit



113435-10

Conditioned Signal Module



125100-10

4-20 mA Module



125260-02

90° Display Adapter Kit



*Does not make Non-FM or Non-ATEX Approved flow meters FM or ATEX Approved