

PRODUCT INFORMATION PACKET



Model No: 5R007

Catalog No: 5R007

Refrigeration Motor, 1/3 HP, 1 Ph, 60/50 Hz, 208-230 V, 1075 RPM, 1 Speed, 48 Frame, CLOSED AO



Regal and Genteq are trademarks of Regal Rexnord Corporation or one of its affiliated companies.
©2025 Regal Rexnord Corporation, All Rights Reserved. MC017097E





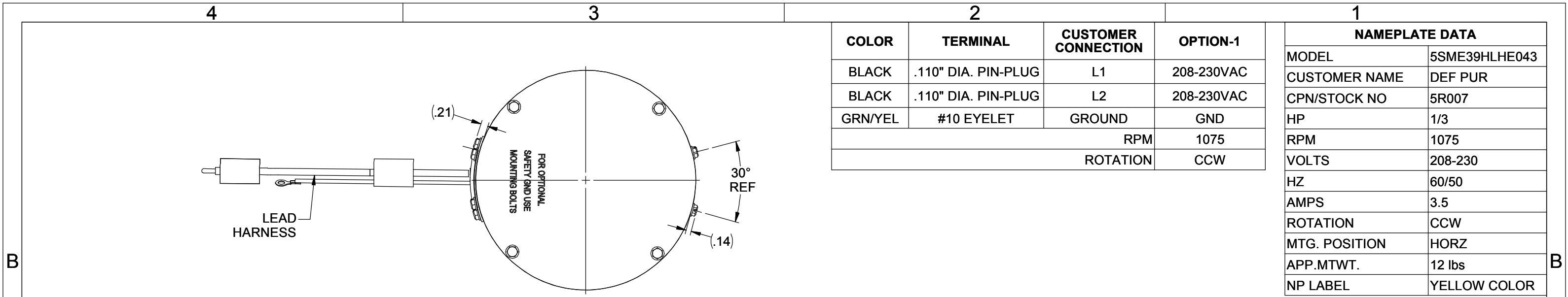
Nameplate Specifications

Phase	1	Output HP	1/3 Hp
Output KW	0.25 kW	Voltage	208-230 V
Speed	1075 rpm	Service Factor	1
Frame	48	Enclosure	Totally Enclosed Air Over
Thermal Protection	Automatic	Ambient Temperature	40 °C
Frequency	60/50 Hz	Current	3.5 A
Duty	Continuous Air Over	Insulation Class	B
UL	No	CSA	N
CE	N	Number of Speeds	1

Technical Specifications

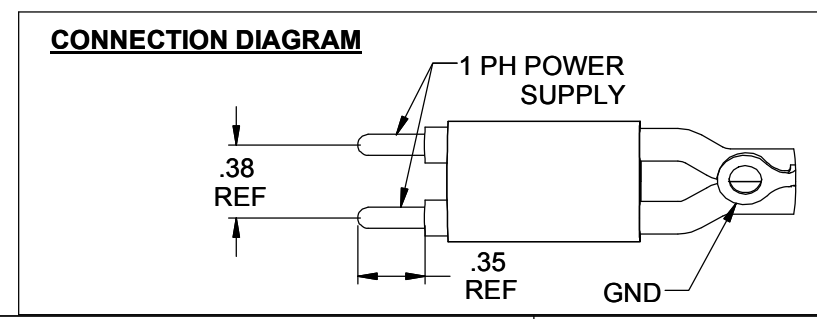
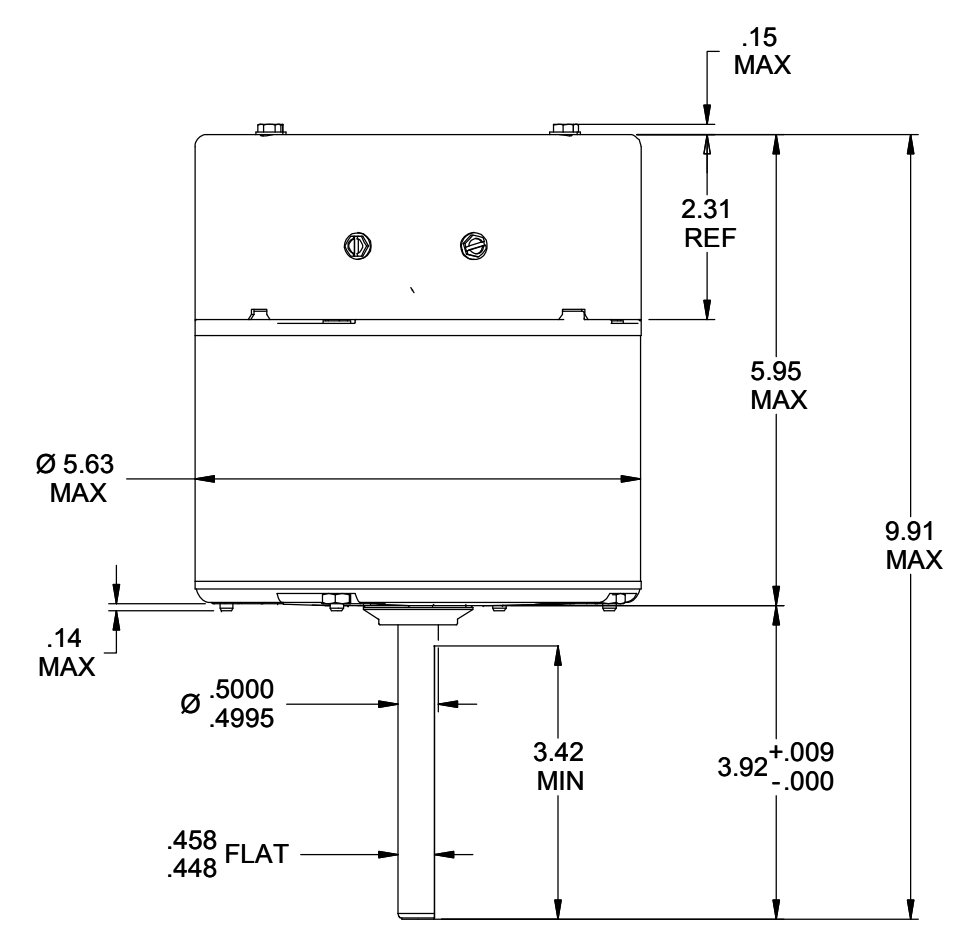
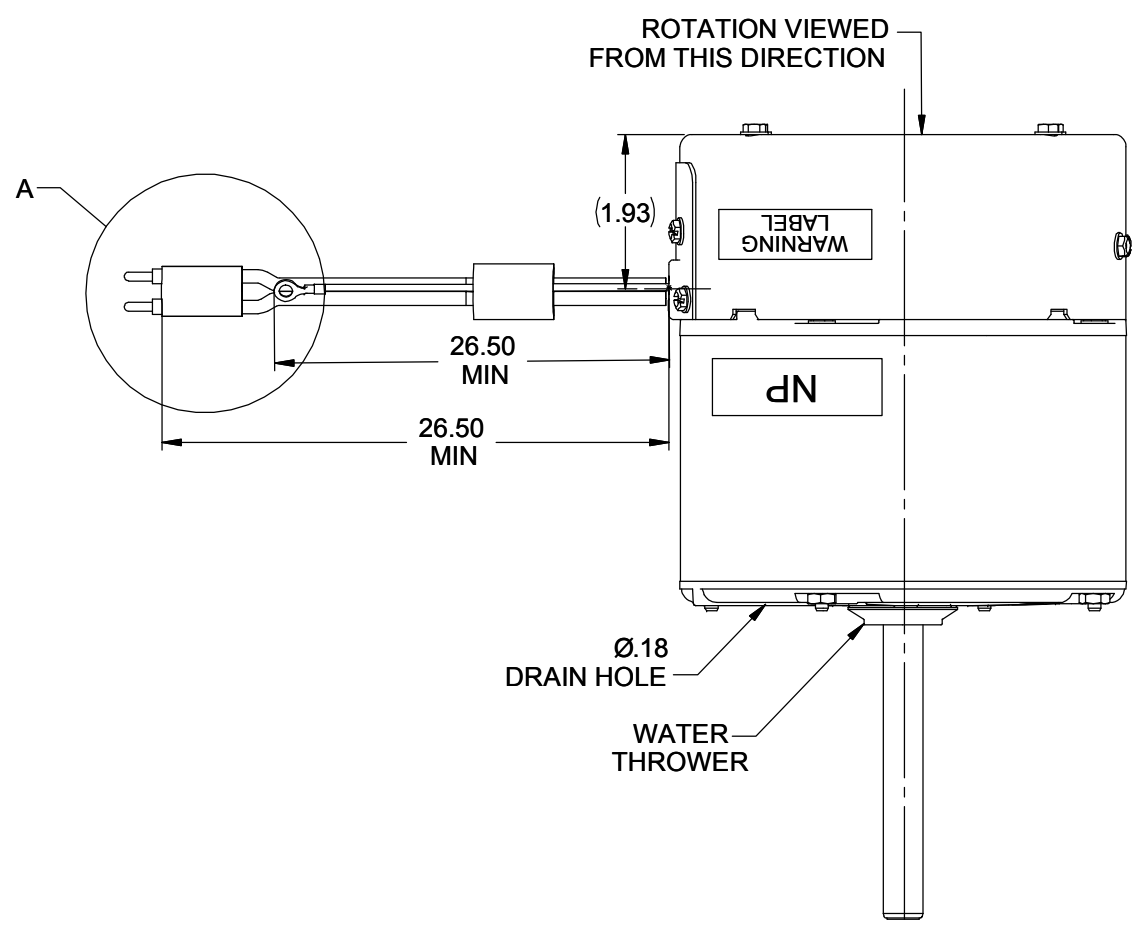
Electrical Type	Electronically Commutated Motor	Poles	12
Rotation	Counterclockwise	Mounting	Round
Motor Orientation	Hor	Drive End Bearing	Ball
Opp Drive End Bearing	Ball	Frame Material	Rolled Steel
Shaft Type	Flat	Overall Length	9.91 in
Frame Length	3.07 in	Shaft Diameter	0.500 in
Shaft Extension	3.92 in		
Outline Drawing	5SME39HLHE043	Connection Drawing	N/R

This is an uncontrolled document once printed or downloaded and is subject to change without notice. Date Created:06/18/2025



COLOR	TERMINAL	CUSTOMER CONNECTION	OPTION-1
BLACK	.110" DIA. PIN-PLUG	L1	208-230VAC
BLACK	.110" DIA. PIN-PLUG	L2	208-230VAC
GRN/YEL	#10 EYELET	GROUND	GND
		RPM	1075
		ROTATION	CCW

NAMEPLATE DATA	
MODEL	5SME39HLHE043
CUSTOMER NAME	DEF PUR
CPN/STOCK NO	5R007
HP	1/3
RPM	1075
VOLTS	208-230
HZ	60/50
AMPS	3.5
ROTATION	CCW
MTG. POSITION	HORZ
APP.MTWT.	12 lbs
NP LABEL	YELLOW COLOR



DRAWING REVISION E	REVISION BY KEP	REV DATE/© DATE 06/24/2019
ECO ECO-0169015	APPROVED BY B.J.STOUT	DATE 06/24/2019
ECO DESCRIPTION ADDED AMP RATING TO NAMEPLATE DATA		
<small>COPYRIGHT (PER REVISION DATE) REGAL BELOIT AMERICA, INC. ALL RIGHTS RESERVED. PROPRIETARY AND CONFIDENTIAL INFORMATION - THIS DOCUMENT IS THE PROPERTY OF REGAL BELOIT AMERICA, INC. ("OWNER") AND CONTAINS OWNER'S PROPRIETARY INFORMATION. ANY PERSON, CORPORATION OR OTHER FIRM RECEIVING IT IS DEEMED, BY RECEIVING IT, TO AGREE THAT IT, AND/OR ANY PART OF IT, SHALL NOT BE DISCLOSED TO ANY PERSON, CORPORATION OR OTHER ENTITY, DUPLICATED, AND/OR USED, EXCEPT AS EXPRESSLY APPROVED IN WRITING IN ADVANCE BY OWNER. THIS DOCUMENT SHALL BE RETURNED TO OWNER UPON REQUEST. IT MAY BE SUBJECT TO CERTAIN RESTRICTIONS UNDER APPLICABLE EXPORT CONTROL LAWS AND REGULATIONS.</small>		

PRIMARY DIMENSIONS ARE INCH
mm DIMENSIONS IN [BRACKETS]
ARE FOR REFERENCE ONLY

DRAWN BY NT	REGAL ® Regal Beloit America, Inc.
DATE 09/14/08	
APPROVED BY	DESCRIPTION OUTLINE ECM ARKTIC 142
DATE	MATERIAL
REFERENCE	PROCESS/FINISH
THIRD ANGLE PROJECTION	SIZE B
	DRAWING NUMBER 5SME39HLHE043
	SHEET 1 OF 1

Medium							
Med. Low							
Low							

* Large wire size may be double stranded.

Regal Beloit Confidential Information



Motor Model Search



Motor Details

Model :	5SME39HLHE043	Catalog Number :	5R007
General:		Motor Category :	COMPLETE MOTOR
Application :	COMMERCIAL REFRIGER	Production Status :	PROD
Phases :	1	Stock Status :	
# of Speeds :	1	Approved For Sale :	
Testspec :	24X331991-1	Restricted Model :	
Horiz/Vertical :	HOR	Customer :	DEF PUR
Shell Enclosure :	CLOSED	Customer Part# :	STOCK NO 5R007
Endshield Enclosure :	CLOSED		
Nameplate Data:			
Horsepower :	1/3	GE Type :	SME
RPM :	1075	Time Rating :	CAO
Voltage :	208-230	Frequency :	60/50
FL Amps :	3.5	Insulation Class:	B
Capacitor 1mFd/V :	N/R	Capacitor 2mFd/V :	N/R
Additional Information :	MTG POSITION:HOR OR VSD		
	N/R		
Miscellaneous:			
Fullload RPM - HI :		GE Frame :	39
Poles :	12	Shell Length :	3.07
Rotation :	CCW	Drains :	Y
Thermal Protection :		Est. Weight :	12
Finish Color:	STD GRAY	Capacitor By :	N/R
OVERLOAD INFORMATION::			
Protector:	ELECTRONICALLY PROTECTED	Overload Temp :	N/A
Catalog No:	N/A	Vendor Name:	N/A
THERMAL CUT-OFF INFORMATION:			
TCO:	N/A	Overload Temp :	N/A
Catalog No:	N/A	Vendor Name:	N/A
U.L.CONSTRUCTION FILES:			
Motor Construction:	E46035(excluding SME)	Class B Insulation :	E306343(excluding SME)
Over Load :	E27885(excluding SME)	CSA(REY) :	MC236833(excluding SME)
Shaft:			
PE Type :	FLAT	OPE Type :	N/R
PE Length :	3.92	OPE Length :	N/R
PE Diameter :	.5	OPE Diameter :	0
PE Flat Length :	3.42	OPE Flat Length :	N/R
Endshields:			
PE Material :	AL	OPE Material :	AL
PE Hub Type :	FLAT	OPE Hub Type :	FLAT
PE Oiler :	N/R	OPE Oiler :	N/R
PE Oil Plug :	N/R	OPE Oil Plug :	N/R
PE Mounting Holes :	N/R	OPE Mounting Holes :	N/R
Bearings:			
PE Bearing Type :	BALL	OPE Bearing Type :	BALL
Bearing Protection :	Yes	Rohs Compliant :	No
Bearing Protection Details:			
PE Ext Type :	SMALL	OPE Ext Type :	N/R
PE Int Type :	N/R	OPE Int Type :	N/R
Mounting:			
Base :	N/R	Lug :	N/R
Clamp Screw :	Yes	Weld Screw :	No
Extended Clamp Screws:			
PE Pattern :		OPE Pattern :	
PE Length :	0	OPE Length :	0
PE Nut Qty :	0	OPE Nut Qty :	0
Head End :	OPE	Screw Size :	#8

Nut Thickness : .12

Lead & Cord :

Lead End : **OPE**

Lead Exit H/W : **N/R**

Lead Exit H/W Orient. : **N/R**

Lead Type : **SINGLE COND**

Lead Harness Desc : **LEAD HARNESS**

Note : Exit position is viewed from the Lead End with the Shell Weld at 6:00.

Grounding :

Type : **N/R**

Exit Type : **N/R**

Length : **N/R**

Terminal : **N/R**

Location : **N/R** viewed from **N/R** with Oil boss at 12:00

AWG Size : **0**

Color : **N/R**

Ins.Material & Thickness : **N/R N/R**

Diagrams and Dimensions :

Outline Drawing : **5SME39HLHE043**

Connection Diagram : **423B631 Fig# 35**

C-Dimension : **9.91**

Connection Label : **N/R**

Notes :

This document is the property of the Regal Beloit Company containing proprietary and confidential information.

Date of last revision : **18-OCT-24**

