

# PRODUCT INFORMATION PACKET



Model No: 5KCP39PGS931S

Catalog No: 5KCP39PGS931S

Fan and Blower Motor, 3/4 HP, 1 Ph, 60 Hz, 115/230 V, 1625 RPM, 1 Speed, 48 Frame, OAO

Regal and Genteq are trademarks of Regal Rexnord Corporation or one of its affiliated companies.

©2024 Regal Rexnord Corporation, All Rights Reserved. MC017097E





### Nameplate Specifications

Phase	1	Output HP	3/4 Hp
Output KW	0.56 kW	Voltage	115/230 V
Speed	1625 rpm	Service Factor	1
Frame	48	Enclosure	Open Air Over
Thermal Protection	Thermally Protected	Ambient Temperature	40 °C
Frequency	60 Hz	Current	9.30/ 4.60 A
Duty	Continuous Air Over	Insulation Class	B
UL	Recognized	CSA	Y
CE	N	Number of Speeds	1

### Technical Specifications

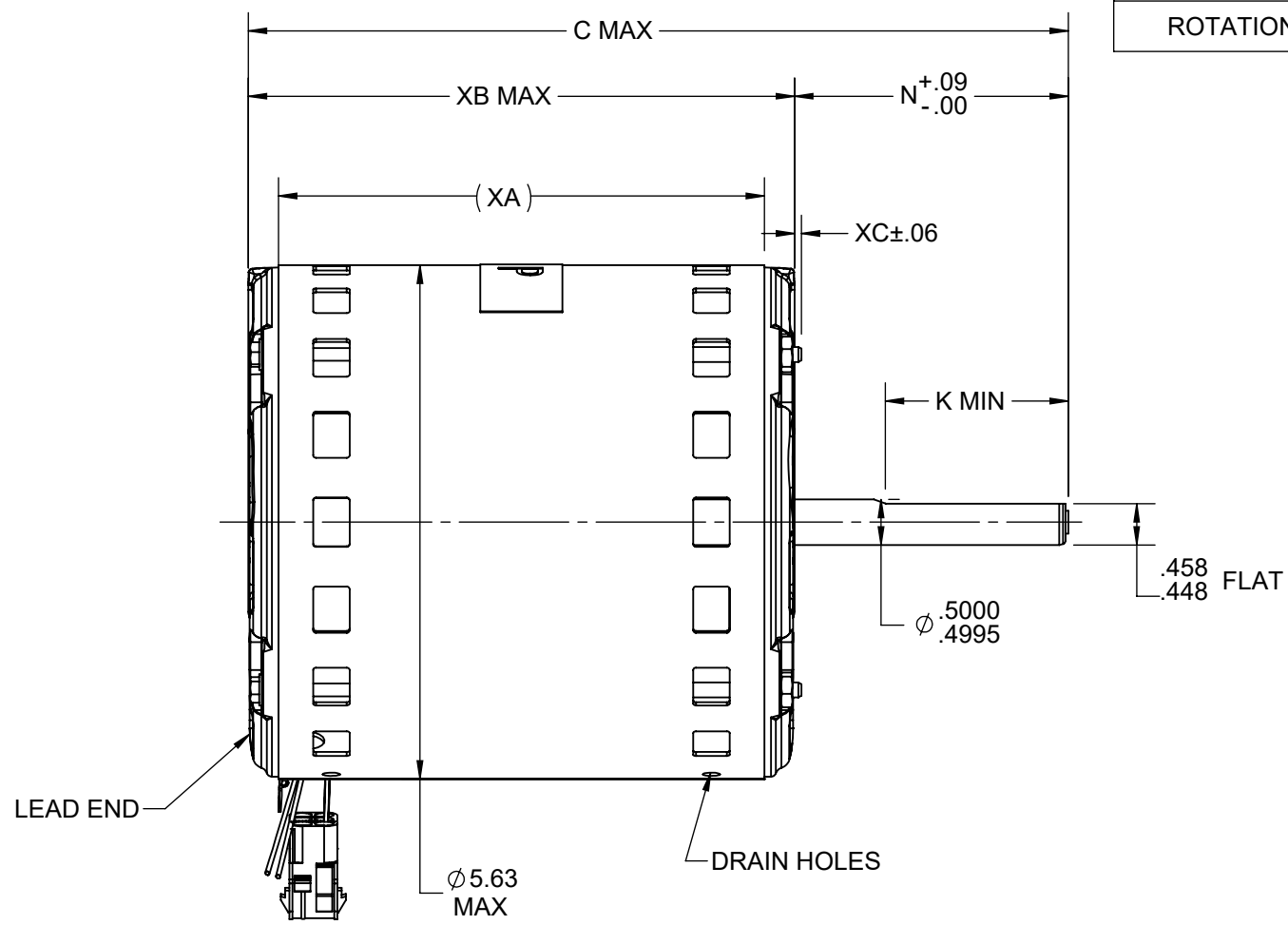
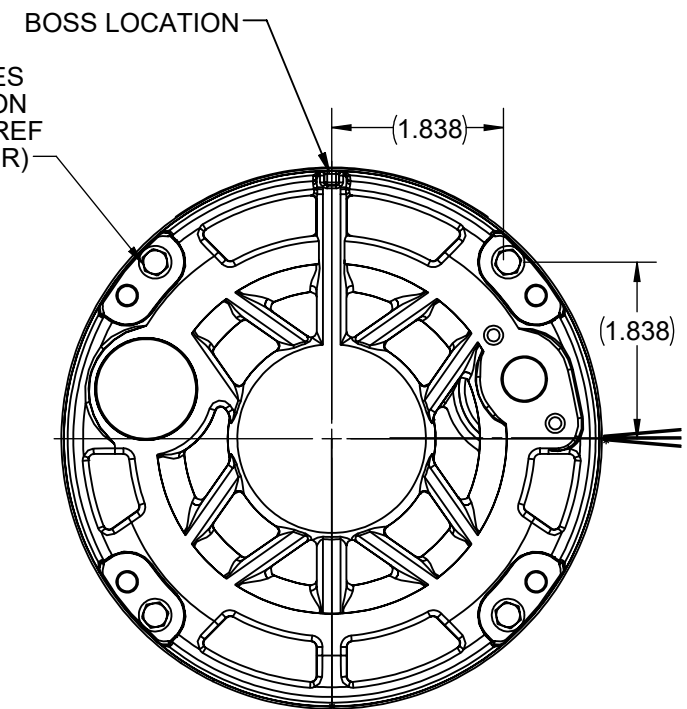
Electrical Type	Permanent Split Capacitor	Poles	4
Rotation	Counterclockwise	Mounting	Extended Studs
Motor Orientation	Any	Drive End Bearing	Sleeve
Opp Drive End Bearing	Sleeve	Frame Material	Rolled Steel
Shaft Type	Flat	Overall Length	8.39 in
Frame Length	4.82 in	Shaft Diameter	0.500 in
Shaft Extension	2.00 in		
Outline Drawing	5KCP39PGS931S	Connection Drawing	NP24X327312

This is an uncontrolled document once printed or downloaded and is subject to change without notice. Date Created:10/24/2024

S.NO	CONNECTION	COLOR	EXIT TYPE	EXIT LOC (VIEWING LE)	GAGE	MATERIAL	WALL THK.	LENGTH	TERMINATION
1	COMMON LEAD	BLACK	SHELL NOTCH	3:00	18	THERMOPLASTIC	4/64	24.50	0.50 BWS
2	CAPACITOR LEAD	BROWN	SHELL NOTCH	3:00	18	THERMOPLASTIC	4/64	24.50	0.50 BWS
3	CAPACITOR LEAD	BROWN	SHELL NOTCH	3:00	18	THERMOPLASTIC	4/64	24.50	0.50 BWS
4	DUAL VOLTAGE LEAD	WHITE	SHELL NOTCH	3:00	18	THERMOPLASTIC	4/64	24.50	0.50 BWS
5	DUAL VOLTAGE LEAD	YELLOW	SHELL NOTCH	3:00	18	THERMOPLASTIC	4/64	24.50	0.50 BWS
6	DUAL VOLTAGE LEAD	RED	SHELL NOTCH	3:00	18	THERMOPLASTIC	4/64	24.50	0.50 BWS
7	DUAL VOLTAGE LEAD	PURPLE	SHELL NOTCH	3:00	18	THERMOPLASTIC	4/64	24.50	0.50 BWS
8	GROUND LEAD	GRN-YEL	CLAMP SCREW	1:30	18	THERMOPLASTIC	2/64	30.00	0.69 BWS

NAMEPLATE DATA	
MODEL	5KCP39PGS931S
CUST. P/N	38N101
HP	3/4
RPM	1625
VOLTS	115/230
HZ	60
SPEEDS	1
AMPS	9.30/4.60
CAP. REQ'D-D1	15.0 μfd/370 Volts
CAP. REQ'D-D2	N/R
CONN.DRW#	NP24X327312
ROTATION	CCW (VIEWED FROM LE)

#8-32 THREAD . THESE SCREWS FIT A GAGE HAVING (4) HOLES OF  $\phi$ .1910 LOCATED ON BASIC POSITION(5.20 REF BOLT CIRCLE DIAMETER)



NOTE:  
 1) DIMENSIONS SHOWN ARE NOMINAL UNLESS OTHERWISE SPECIFIED.  
 2) NAMEPLATE LABEL LOCATION: 360 - CENTER WITH RESPECT TO OIL BOSS READ FROM LE

	.77	N/R
	XC	XD
7.98	2.42	1.80
C	N	K
	4.82	5.48
	XA	XB

VENTILATION SYSTEM	
SHELL VENTS	OPEN
ENDSHIELD (OPP.LEAD END)	OPEN
ENDSHIELD (LEAD END)	OPEN

DRAWING REVISION KA	REVISION BY ABHI	REV DATE/© DATE 10/16/2024
REQUEST NUMBER ECR-0237798	APPROVED BY KEP	DATE 10/16/2024
REQUEST NUMBER DESCRIPTION ADDED TOL FOR XC DIM		
<small>COPYRIGHT (PER REVISION DATE) REGAL BELOIT AMERICA, INC. ALL RIGHTS RESERVED. PROPRIETARY AND CONFIDENTIAL INFORMATION - THIS DOCUMENT IS THE PROPERTY OF REGAL BELOIT AMERICA, INC. ("OWNER") AND CONTAINS OWNER'S PROPRIETARY INFORMATION. ANY PERSON, CORPORATION OR OTHER FIRM RECEIVING IT IS DEEMED, BY RECEIVING IT, TO AGREE THAT IT, AND/OR ANY PART OF IT, SHALL NOT BE DISCLOSED TO ANY PERSON, CORPORATION OR OTHER ENTITY, DUPLICATED, AND/OR USED, EXCEPT AS EXPRESSLY APPROVED IN WRITING IN ADVANCE BY OWNER. THIS DOCUMENT SHALL BE RETURNED TO OWNER UPON REQUEST. IT MAY BE SUBJECT TO CERTAIN RESTRICTIONS UNDER APPLICABLE EXPORT CONTROL LAWS AND REGULATIONS.</small>		

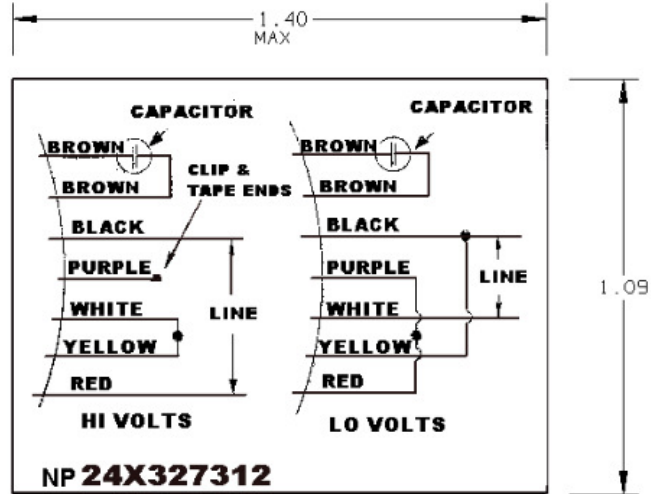
PRIMARY DIMENSIONS ARE INCH  
 mm DIMENSIONS IN [BRACKETS]  
 ARE FOR REFERENCE ONLY

DRAWN BY TRSK
DATE 10/06/2021
APPROVED BY TRSK
DATE 10/06/2021
REFERENCE
THIRD ANGLE PROJECTION

<b>Regal Rexnord</b>		Regal Beloit America, Inc.	
DESCRIPTION <b>OUTLINE</b> (CUST. NAME: GRAINGER)			
MATERIAL		PROCESS/FINISH	
SIZE B	DRAWING NUMBER 5KCP39PGS931S	SHEET 1 OF 1	

**DDC PROPRIETARY STATEMENT**  
 This document is the property of REGAL-BELOIT Corporation (REGAL) including its subsidiaries and divisions and contains proprietary information of REGAL. This document is loaned on the express condition that neither it nor the information contained therein shall be disclosed to others without the express written consent of REGAL and that the information shall be used by the recipient only as approved expressly by REGAL. This document shall be returned to REGAL upon its request. This document may be subject to certain restrictions under the U.S. export control law and regulations.


REVISIONS	
REV	DESCRIPTION
1	Convert to RBC Format JAR 10 2005



**TYPE FACE:** COLORS OR NUMBERS DENOTING LEAD IDENTIFICATION AND N.P. NUMBER ARE TO BE 18 POINT NEWS GOTHIC CONDENSED. OTHER INFORMATION SHOULD BE 18 POINT IF SPACE ALLOWS, OTHERWISE USE 14 POINT.

**MATERIALS:** 4 MIL WHITE VINYL ADHESIVE STOCK GE SPEC A50FG41-S1  
 BLACK INK GE SPEC A50FM48

**NOTE:** THE BOX LINES AND DIMENSIONS REPRESENT THE SIZE OF THE TAPE TO BE USED. DO NOT INCLUDE THESE IN STAMP FORMAT.

 <b>REGAL-BELOIT CORPORATION</b>	
<b>CONNECTION DIAGRAM</b>	
FILE:	OPC#
<b>NP 24X327312</b>	<b>CAS 9-79</b>
ISSUED	SCALE
<b>NO</b>	<b>NO</b>

## Winding and Test Specification

WTS # 24X330359-1												
Revision # 14				Rev. Date : May 31, 2007				First Made for : 5KCP39PGP248S				
<b>WTS Nameplate Data</b>												
Horsepower	3/4		RPM	1625								
Voltage	115/230		Amps	9.30 4.60								
Frequency	60		Phases	1								
Capacitor	15.0 $\mu$ fd		Cap Volts	370								
Test Volts : 230				Low Spd St Volts : 115								
Test Frequency : 60												
Test Instructions : 24A105040AA-P1												
<b>Winding Resistance</b>												
<b>Winding</b>	<b>Resistance</b>											
	Min	Nominal	Max									
Main *	2.28	2.40	2.51									
X Main	2.28	2.40	2.51									
Y Main												
Z Main												
W Main												
Start	10.73	11.29	11.86									
<b>N. L. Performance Data</b>												
	<b>N. L. Performance Data</b>				<b>Full Load Performance</b>							
	Amps	Watts		Cap. Volts	Amps		Watts		Speed	Torque		
	Nominal	Nominal	Max	370	Nominal	Max	Nominal	Max	Nominal	Min	Nominal	
High	1.36	203	244	370	5.04	5.54	1091	1146	1620	45.8	50.9	
Med. High												
Medium												
Med. Low												
Low												
<b>Locked Rotor</b>												
	<b>Max. Torque</b>			<b>Locked Rotor</b>								
	RPM	Torque		Amps	Watts	Torque	Nominal	Nominal				
		Min	Nominal						e			
High	1358	59.7	66.3	Nominal	12.13	2133	11.7					
Med. High												
Medium												
Med. Low												
Low												
<b>Customer/Special Load Points</b>												
	<b>Customer/Special Load Points</b>											
	Speed	Torque		Watts		Amps						
	Nominal	Min	Nominal	Nominal	Max	Nominal	Max					
High	1625	47.5	50.0	1071	1125	4.94	5.43					
Med. High												
Medium												
Med. Low												
Low												

\* Large wire size may be double stranded. Regal Beloit Confidential Information



<b>Motor Details</b>			
<b>Model :</b>	<b>5KCP39PGS931S</b>	<b>Catalog Number :</b>	
<b>General:</b>			
Application :	<b>MISCELLANEOUS</b>	Motor Category :	<b>COMPLETE MOTOR</b>
Phases :	<b>1</b>	Production Status :	<b>PROD</b>
# of Speeds :	<b>1</b>	Stock Status :	<b>NONSTOCK</b>
Testspec :	<b>24X330359-1</b>	Approved For Sale :	<b>Y</b>
Horiz/Vertical :	<b>ANY</b>	Restricted Model :	<b>Y</b>
Shell Enclosure :	<b>OPEN</b>	Customer :	<b>GRAINGER</b>
Endshield Enclosure :	<b>OPEN</b>	Customer Part# :	<b>38N101</b>
<b>Nameplate Data:</b>			
Horsepower :	<b>3/4</b>	GE Type :	<b>KCP</b>
RPM :	<b>1625</b>	Time Rating :	<b>CAO</b>
Voltage :	<b>115/230</b>	Frequency :	<b>60</b>
FL Amps :	<b>9.30/ 4.60</b>	Insulation Class:	<b>B</b>
Capacitor 1mFd/V :	<b>15.00/370</b>	Capacitor 2mFd/V :	<b>N/R</b>
Additional Information :	<b>PERMANENTLY LUBRICATED N/R</b>		
<b>Miscellaneous:</b>			
Fullload RPM - HI :	<b>1620</b>	GE Frame :	<b>39</b>
Poles :	<b>4</b>	Shell Length :	<b>4.82</b>
Rotation :	<b>CCW</b>	Drains :	<b>N</b>
Thermal Protection :	<b>AUTO</b>	Est. Weight :	<b>17</b>
Finish Color:	<b>STD GRAY</b>	Capacitor By :	<b>CUSTOMER</b>
<b>OVERLOAD INFORMATION::</b>			
Protector:	<b>24A100514P11</b>	Overload Temp :	<b>150/140</b>
Catalog No:	<b>7AM036A54838C</b>	Vendor Name:	<b>TEXAS INSTRUMENTS</b>
<b>THERMAL CUT-OFF INFORMATION:</b>			
TCO:	<b>N/A</b>	Overload Temp :	<b>N/A</b>
Catalog No:	<b>N/A</b>	Vendor Name:	<b>N/A</b>
<b>U.L.CONSTRUCTION FILES:</b>			
Motor Construction:	<b>E46035(excluding SME)</b>	Class B Insulation :	<b>E306343(excluding SME)</b>
Over Load :	<b>E27885(excluding SME)</b>	CSA(REY) :	<b>MC236833(excluding SME)</b>
<b>Shaft:</b>			
PE Type :	<b>FLAT</b>	OPE Type :	<b>N/R</b>
PE Length :	<b>2.00</b>	OPE Length :	<b>N/R</b>
PE Diameter :	<b>.5</b>	OPE Diameter :	<b>0</b>
PE Flat Length :	<b>1.80</b>	OPE Flat Length :	<b>N/R</b>
<b>Endshields:</b>			
PE Material :	<b>AL</b>	OPE Material :	<b>AL</b>
PE Hub Type :	<b>STD</b>	OPE Hub Type :	<b>STD</b>
PE Oiler :	<b>N/R</b>	OPE Oiler :	<b>N/R</b>
PE Oil Plug :	<b>N/R</b>	OPE Oil Plug :	<b>N/R</b>
PE Mounting Holes :	<b>N/R</b>	OPE Mounting Holes :	<b>N/R</b>
<b>Bearings:</b>			
PE Bearing Type :	<b>SLEEVE</b>	OPE Bearing Type :	<b>SLEEVE</b>
Bearing Protection :	<b>No</b>	Rohs Compliant :	<b>Yes</b>
<b>Mounting:</b>			
Base :	<b>N/R</b>	Lug :	<b>N/R</b>
Clamp Screw :	<b>Yes</b>	Weld Screw :	<b>No</b>
<b>Extended Clamp Screws:</b>			
PE Pattern :		OPE Pattern :	
PE Length :	<b>0.77</b>	OPE Length :	<b>N/R</b>

PE Nut Qty :	1	OPE Nut Qty :	0
Head End :	OPE	Screw Size :	#8
Nut Thickness :	.12		

**Lead & Cord :**

Lead End :	OPE	Lead Type :	SINGLE COND
Lead Exit H/W :	N/R	Lead Harness Desc :	N/R
Lead Exit H/W Orient. :	N/R		
Conductor ID :	COMM-FIXED LINE		
Exit :	3:00 - SHELL NOTCH	Length :	24.50
Color :	BLACK	Mat'l Spec :	18 4/64 THERMOPLAST
Termination :	.50 BWS	Slot ID :	N/R
Conductor ID :	CAPACITOR		
Exit :	3:00 - SHELL NOTCH	Length :	24.50
Color :	BROWN	Mat'l Spec :	18 4/64 THERMOPLAST
Termination :	.50 BWS	Slot ID :	N/R
Conductor ID :	CAPACITOR		
Exit :	3:00 - SHELL NOTCH	Length :	24.50
Color :	BROWN	Mat'l Spec :	18 4/64 THERMOPLAST
Termination :	.50 BWS	Slot ID :	N/R
Conductor ID :	DUAL VOLTAGE		
Exit :	3:00 - SHELL NOTCH	Length :	24.50
Color :	WHITE	Mat'l Spec :	18 4/64 THERMOPLAST
Termination :	.50 BWS	Slot ID :	N/R
Conductor ID :	DUAL VOLTAGE		
Exit :	3:00 - SHELL NOTCH	Length :	24.50
Color :	YELLOW	Mat'l Spec :	18 4/64 THERMOPLAST
Termination :	.50 BWS	Slot ID :	N/R
Conductor ID :	DUAL VOLTAGE		
Exit :	3:00 - SHELL NOTCH	Length :	24.50
Color :	RED	Mat'l Spec :	18 4/64 THERMOPLAST
Termination :	.50 BWS	Slot ID :	N/R
Conductor ID :	DUAL VOLTAGE		
Exit :	3:00 - SHELL NOTCH	Length :	24.50
Color :	PURPLE	Mat'l Spec :	18 4/64 THERMOPLAST
Termination :	.50 BWS	Slot ID :	N/R

Note : Exit position is viewed from the Lead End with the Shell Weld at 6:00.

**Grounding :**

Type :	LEAD	Location :	1:30 viewed from OPE with Oil boss at 12:00
Exit Type :	CLAMPSCREW	AWG Size :	18
Length :	30.00	Color :	GRN-YEL
Terminal :	.69 BWS	Ins.Material & Thickness	2/64 THRMOPLAST

**Diagrams and Dimensions :**

Outline Drawing :	5KCP39PGS931S	C-Dimension :	8.39
Connection Diagram :	423B631 Fig# 10	Connection Label :	NP24X327312

**Notes :**

This document is the property of the Regal Beloit Company containing proprietary and confidential information.

Date of last revision : 29-JUN-18