

# PRODUCT INFORMATION PACKET



Model No: 5KCP39KGZ663BS-S

Catalog No: 5KCP39KGZ663BS-S

5KCP39KGZ663BS - SINGLE PACKED, 1/6-1/2 HP , 1 PH , 120 V , 1075 RPM , AC MOTOR

Regal and Genteq are trademarks of Regal Rexnord Corporation or one of its affiliated companies.

©2025 Regal Rexnord Corporation, All Rights Reserved. MC017097E





### Nameplate Specifications

Phase	1	Output HP	1/6-1/2 Hp
Voltage	120 V	Speed	1075 rpm
Service Factor	1	Frame	48
Enclosure	Open Air Over	Thermal Protection	Thermally Protected
Ambient Temperature	40 °C	Frequency	60 Hz
Current	7.30 A	Duty	Continuous Air Over
Insulation Class	B	UL	Recognized
CSA	Y	CE	N
Number of Speeds	4		

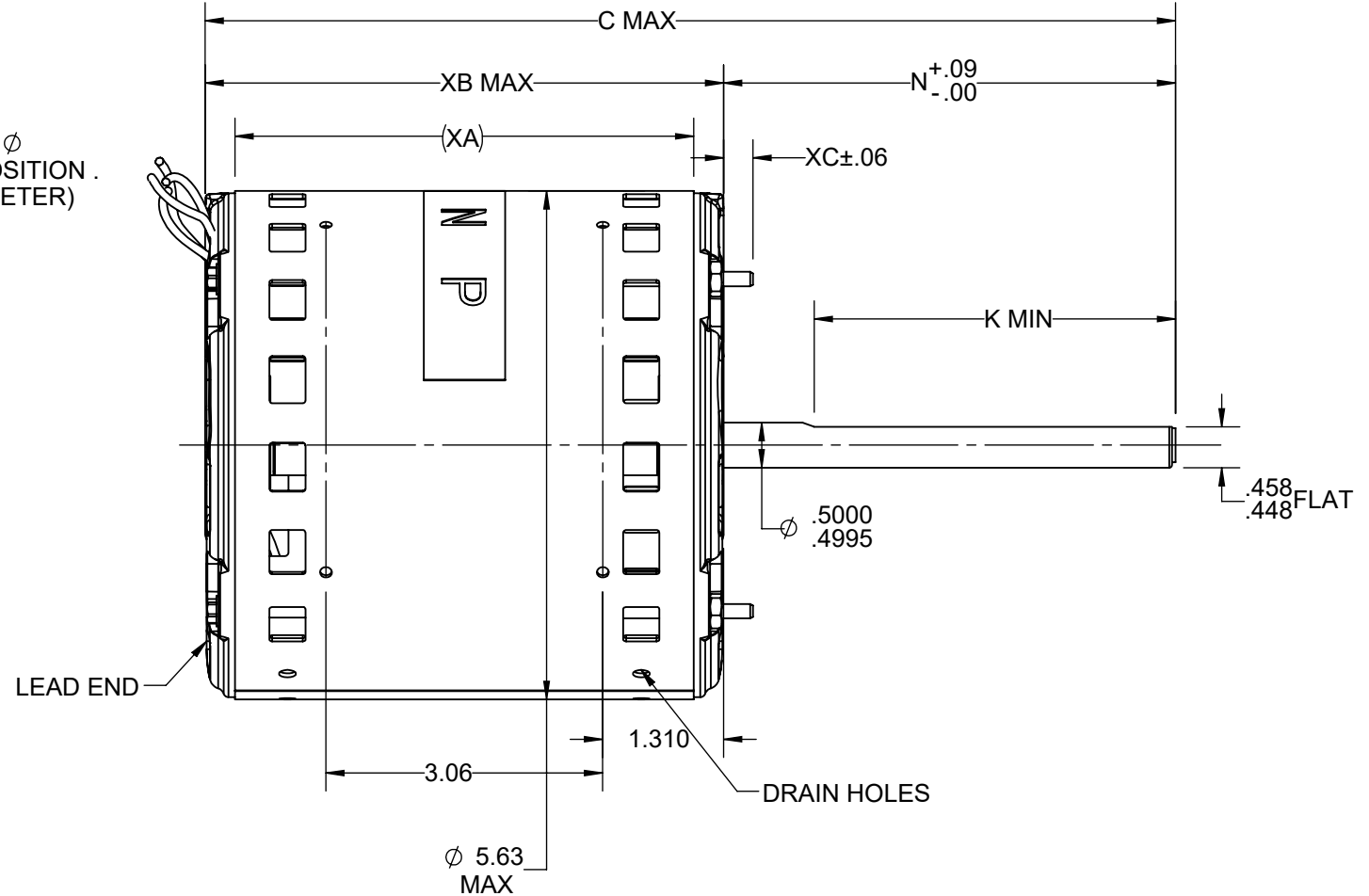
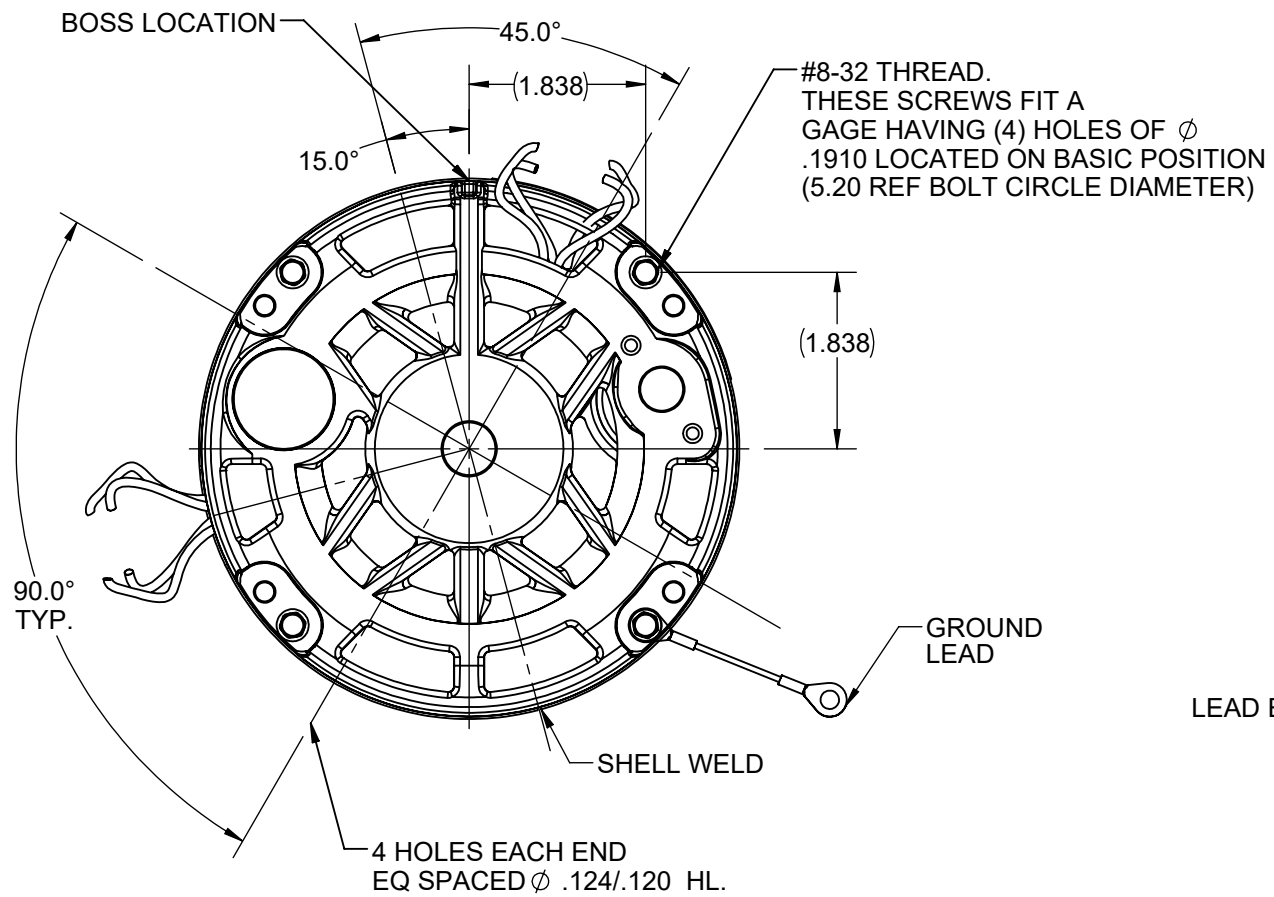
### Technical Specifications

Electrical Type	Permanent Split Capacitor	Poles	6
Rotation	Counterclockwise/Clockwise	Mounting	Round Belly Band
Motor Orientation	Vsu	Drive End Bearing	Ball
Opp Drive End Bearing	Ball	Frame Material	Rolled Steel
Shaft Type	Flat	Overall Length	10.81 in
Frame Length	5.07 in	Shaft Diameter	0.500 in
Shaft Extension	5.00 in		
Outline Drawing	5KCP39KGZ663BS	Connection Drawing	NP24X350406

This is an uncontrolled document once printed or downloaded and is subject to change without notice. Date Created:03/21/2025

S.NO	CONNECTION	COLOR	EXIT TYPE	EXIT LOC (VIEWING LE)	GAGE	MATERIAL	WALL THK.	LENGTH	TERMINATION
1	COMMON LEAD	WHITE	SHELL NOTCH	8:20	18	THERMOPLASTIC	4/64	38.00	.25 FLAG QC
2	REV LEAD	ORANGE	E/S VENT	12:40	18	EPDM	2/64	4.00	.25 FEMALE ISQC
3	CAPACITOR LEAD	BROWN	SHELL NOTCH	8:20	18	THERMOPLASTIC	4/64	38.00	.25 FLAG QC
4	REV LEAD	YELLOW	E/S VENT	12:40	18	EPDM	2/64	4.00	.25 FEMALE ISQC
5	CAPACITOR LEAD	BROWN	SHELL NOTCH	8:20	18	THERMOPLASTIC	4/64	38.00	.25 FLAG QC
6	REV LEAD	YELLOW	E/S VENT	12:40	18	EPDM	2/64	4.00	.25 MALE ISQC
7	HIGH SPEED LEAD	BLACK	SHELL NOTCH	8:20	18	THERMOPLASTIC	4/64	38.00	.25 FLAG QC
8	MED HIGH SPEED LEAD	BLUE	SHELL NOTCH	8:20	18	THERMOPLASTIC	4/64	38.00	.25 FLAG QC
9	MED LOW SPEED LEAD	YELLOW	SHELL NOTCH	8:20	18	THERMOPLASTIC	4/64	38.00	.25 FLAG QC
10	LOW SPEED LEAD	RED	SHELL NOTCH	8:20	18	THERMOPLASTIC	4/64	38.00	.25 FLAG QC
11	REV LEAD	ORANGE	E/S VENT	12:40	18	EPDM	2/64	4.00	.25 MALE ISQC
12	GROUND LEAD	GRN-YEL	CLAMPSCREW	4:30	18	THERMOPLASTIC	2/64	6.00	#10 EYELET

NAMEPLATE DATA	
MODEL	5KCP39KGZ663BS
CUST. P/N	51-23012-41
HP	1/6-1/2
RPM	1075
VOLTS	120
HZ	60
SPEEDS	4
AMPS	N/R
CAP. REQ'D-D1	N/R
CAP. REQ'D-D2	N/R
CONN.DRW#	NP24X350406
ROTATION	CCW/CW(VIUED FROM LE)



NOTE:  
 1) DIMENSIONS SHOWN ARE NOMINAL UNLESS OTHERWISE SPECIFIED.  
 2) NAME PLATE LABEL LOCATION : 60° - CENTER - READ FROM LE.

		.46	N/R
		XC	XD
10.81	5.00	4.50	N/R
C	N	K	LM
		XA	XB

VENTILATION SYSTEM	
SHELL VENTS	OPEN
ENDSHIELD (OPP.LEAD END)	OPEN
ENDSHIELD (LEAD END)	OPEN

DRAWING REVISION B	REVISION BY RS	REV DATE/© DATE 1/6/2022
ECO ECR-0214778	APPROVED BY RS	DATE 1/6/2022
ECO DESCRIPTION CHANGED VOLT FROM 115 TO 120 AS PER ECR		
<small>COPYRIGHT (PER REVISION DATE) REGAL BELOIT AMERICA, INC. ALL RIGHTS RESERVED. PROPRIETARY AND CONFIDENTIAL INFORMATION - THIS DOCUMENT IS THE PROPERTY OF REGAL BELOIT AMERICA, INC. ("OWNER") AND CONTAINS OWNER'S PROPRIETARY INFORMATION. ANY PERSON, CORPORATION OR OTHER FIRM RECEIVING IT IS DEEMED, BY RECEIVING IT, TO AGREE THAT IT, AND/OR ANY PART OF IT, SHALL NOT BE DISCLOSED TO ANY PERSON, CORPORATION OR OTHER ENTITY, DUPLICATED, AND/OR USED, EXCEPT AS EXPRESSLY APPROVED IN WRITING IN ADVANCE BY OWNER. THIS DOCUMENT SHALL BE RETURNED TO OWNER UPON REQUEST. IT MAY BE SUBJECT TO CERTAIN RESTRICTIONS UNDER APPLICABLE EXPORT CONTROL LAWS AND REGULATIONS.</small>		

PRIMARY DIMENSIONS ARE INCH  
 mm DIMENSIONS IN [BRACKETS]  
 ARE FOR REFERENCE ONLY

DRAWN BY RS
DATE 12/21/2021
APPROVED BY RS
DATE 12/21/2021
REFERENCE 5KCP39KGZ663AS
THIRD ANGLE PROJECTION

**REGAL**® Regal Beloit America, Inc.

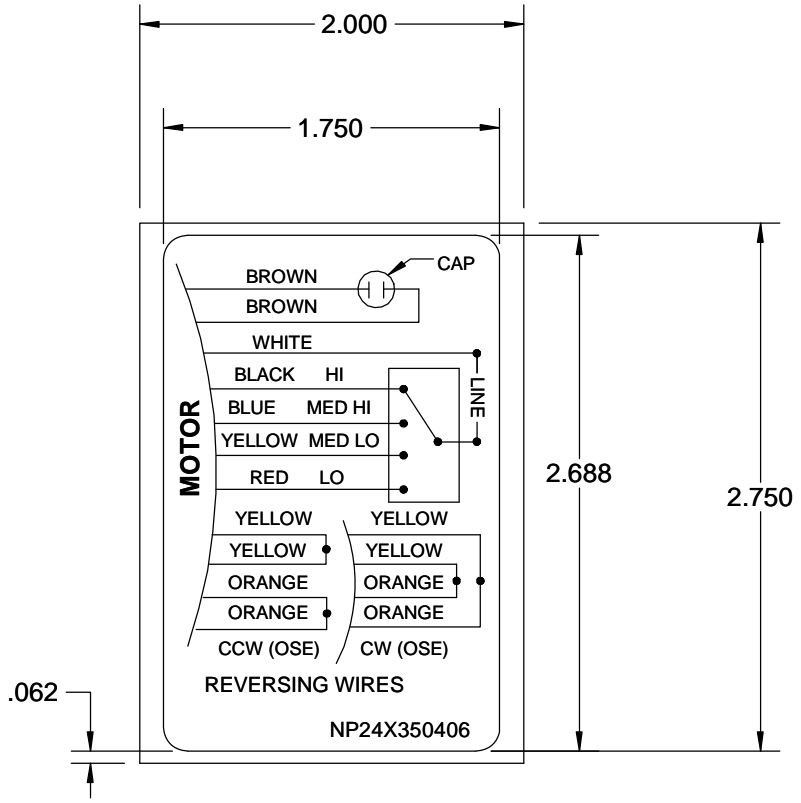
DESCRIPTION  
**OUTLINE**  
(CUST NAME: RHEEM)

MATERIAL \_\_\_\_\_ PROCESS/FINISH \_\_\_\_\_


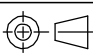
SIZE **B** DRAWING NUMBER **5KCP39KGZ663BS** SHEET 1 OF 1

COPYRIGHT (PER REVISION DATE) REGAL BELOIT AMERICA, INC. ALL RIGHTS RESERVED. PROPRIETARY AND CONFIDENTIAL INFORMATION - THIS DOCUMENT IS THE PROPERTY OF REGAL BELOIT AMERICA, INC. ("OWNER") AND CONTAINS OWNER'S PROPRIETARY INFORMATION. ANY PERSON, CORPORATION OR OTHER FIRM RECEIVING IT IS DEEMED, BY RECEIVING IT, TO AGREE THAT IT, AND/OR ANY PART OF IT, SHALL NOT BE DISCLOSED TO ANY PERSON, CORPORATION OR OTHER ENTITY, DUPLICATED, AND/OR USED, EXCEPT AS EXPRESSLY APPROVED IN WRITING IN ADVANCE BY OWNER. THIS DOCUMENT SHALL BE RETURNED TO OWNER UPON REQUEST. IT MAY BE SUBJECT TO CERTAIN RESTRICTIONS UNDER APPLICABLE EXPORT CONTROL LAWS AND REGULATIONS.

DRAWING REVISION A	REVISION BY	REV DATE/© DATE
ECO ECO-0165183	APPROVED BY	DATE
ECO DESCRIPTION NEW WIRING LABEL AS PER ECO		



**SIZE (WxL) : 2.688 X 1.75"**  
**BASE MTL : WHITE POLYESTER**  
**ADHESIVE: PERMANENT**  
**OVERLAMINATE : CLEAR POLYESTER LAMINATE**  
**INK: BLACK**  
**CORNER RADIUS : .125**  
**FONT : ARIAL 7**

PRIMARY DIMENSIONS ARE INCH mm DIMENSIONS IN [BRACKETS] ARE FOR REFERENCE ONLY	DRAWN BY NV	 Regal Beloit America, Inc.		
	DATE 05/06/2019			
	APPROVED BY TRICIA	DESCRIPTION <b>LABEL-CONNECTION DIAGRAM</b> EXTERNAL WIRING LABEL		
	DATE 05/06/2019	MATERIAL	PROCESS/FINISH	
	REFERENCE	SIZE A	DRAWING NUMBER NP24X350406	SHEET 1 OF 1
	THIRD ANGLE PROJECTION			

4

3

2

1

REV. No.	DATE	DRN. BY	CHKD. BY	APPD. BY
A	23.12.21	MOHIT	LAXMAN	RDS

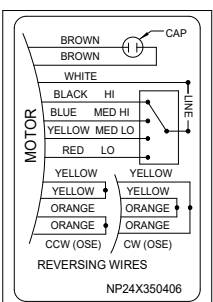
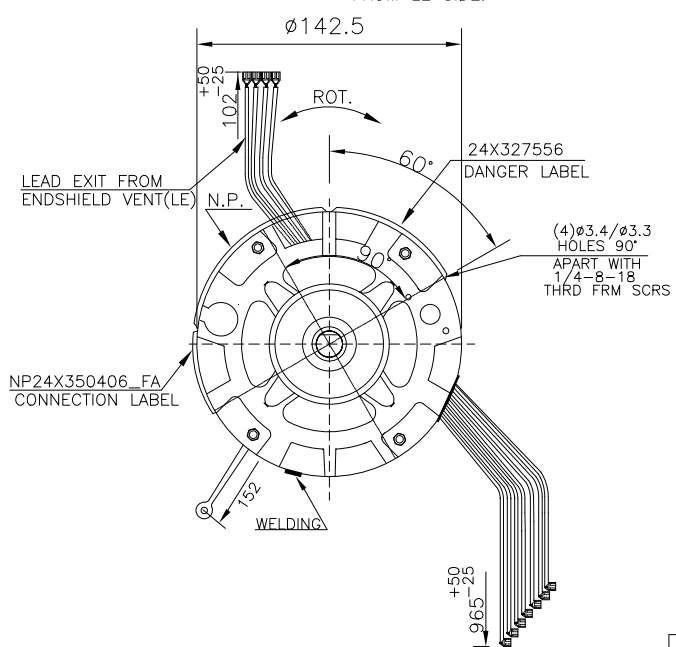
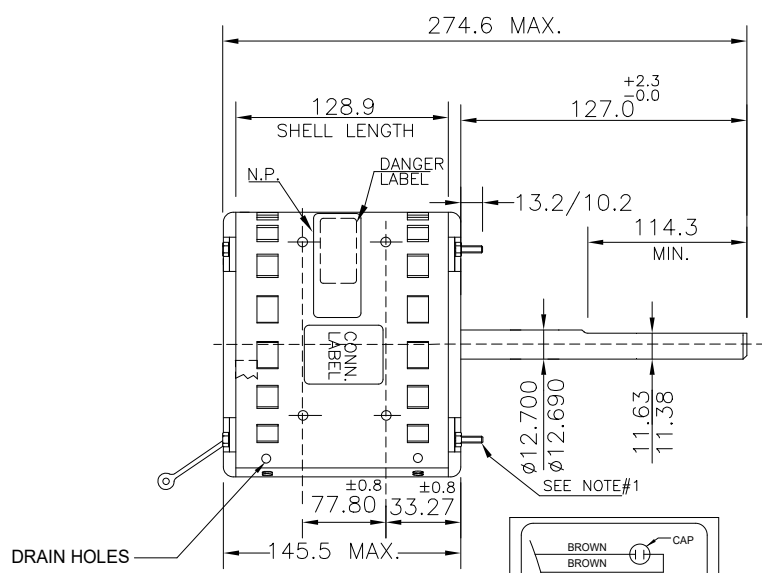
REV.A-NEW DRAWING RELEASE NMR-0212159

FOR FARIDABAD (INDIA) ONLY

NOTE:-

1. THE CLAMP SCREW SHOULD FIT A GAGE HAVING 4 HOLES 4.85 DIA LOCATED ON BASIC HOLE POSITION.(132.0±1.5 REF BOLT CIRCLE DIAMETER).
2. SPRING (WAVE) WASHER ON OLE SIDE.
3. 8X MTG. SCREW N194P1504B9 TO BE PUT IN A POLY BAG.
4. NAME PLATE,CONN. LABEL AND DANGER LABEL MUST BE READABLE FROM LE SIDE.

ALL DIMENSIONS HAVING NO TOLERANCE ARE FOR REF. ONLY  
ALL DIMENSIONS IN MM  
MOTOR OUTLINE(NOT TO SCALE)



VENTILATION SYSTEM	
SHELL VENTS	OPEN
ENDSHIELD (OPP.LEAD END)	OPEN
ENDSHIELD (LEAD END)	OPEN

**ASSM IN INDIA**

**PROTECH**

PART No : 51-23012-41

**CAUTION :**  
USE ONLY THE CAPACITOR RATINGS SHOWN

**THERMALLY PROTECTED CL B CONT AIR OVER**  
\* MOTOR CAN BE OPERATED IN ALL POSITIONS\*

VOLTS : 120    AMPS : 7.3    SHAFT : 1/2 X 5  
HZ : 60    RPM : 1075    PH : 1    SPEEDS : 4

HP : 1/2 (MAX)    ROTATION : Reversible  
See Table Below    CAPACITOR : See Table Below

MODEL No: 5KCP39KGZ663BS

MOTOR CAN BE RUN WITH 5 OR 7.5 370 CAPACITOR FOR 1/8, 1/5, 1/4 AND 1/3 HP RATINGS. HOWEVER, MOTOR IS APPROXIMATELY 10% STRONGER WITH THE 7.5-370 CAPACITOR.

MOTOR	CAPACITOR	SPEEDS TO USE	FLA
1/2 HP	10/370	ALL SPEEDS	7.3
1/3 HP	5/370 OR 7.5 /370	ALL SPEEDS	6.9
1/4 HP	5/370 OR 7.5 /370	MED-HI: MED-LOW	5.5
1/5 HP	5/370 OR 7.5 /370	MED-LOW: LOW	3.6
1/8 HP	5/370 OR 7.5 /370	LOW	2.8

DRAWING REVISION	REVISION BY	DATE
ECO	APPROVED BY	DATE
ECO DESCRIPTION		

ECO DESCRIPTION

REGAL BELLOIT AMERICA, INC. ALL RIGHTS RESERVED. PROPRIETARY AND CONFIDENTIAL INFORMATION - THIS DOCUMENT IS THE PROPERTY OF REGAL BELLOIT AMERICA, INC. (OWNER) AND CONTAINS OWNER'S PROPRIETARY INFORMATION. ANY PERSON, CORPORATION OR OTHER FIRM RECEIVING IT IS DEEMED, BY RECEIVING IT, TO AGREE THAT IT, AND/OR ANY PART OF IT, SHALL NOT BE DISCLOSED TO ANY PERSON, CORPORATION OR OTHER ENTITY. DUPLICATED, AND/OR USED, EXCEPT AS EXPRESSLY APPROVED IN WRITING IN ADVANCE BY OWNER. THIS DOCUMENT SHALL BE RETURNED TO OWNER UPON REQUEST. IT MAY BE SUBJECT TO CERTAIN RESTRICTIONS UNDER APPLICABLE EXPORT CONTROL LAWS AND REGULATIONS.

TOLERANCES UNLESS OTHERWISE SPECIFIED

DEC. mm INCH ANGLE

X ±2.5 [±0.10] ±0.5°

XX ±0.50 [±0.020]

XXX ±0.130 [±0.0051]

XXXX ±0.0130 [±0.00051]

REMOVE BURRS & BREAK SHARP EDGES. 08/38 [003/015]

CORNER FILLETS .50 [020]

MACHINED SURFACES

INCH mm

INCH SHOWN IN [BRACKETS]

DRAWN BY: MOHIT GOYAL

DATE: 23-12-21

APPROVED BY: LAXMAN SINGH

DATE: 23-12-21

REFERENCE

THIRD ANGLE PROJECTION

**REGAL** Regal Beloit America, Inc.

DESCRIPTION: **OUTLINE**

MATERIAL: \_\_\_\_\_

PROCESS/FINISH: \_\_\_\_\_

SIZE: B    DWG NO: 5KCP39KGZ663BS

SHEET 1

4

3

2

1