

GAST

A UNIT OF IDEX CORPORATION
BENTON HARBOR, MI U.S.A.

IDEX online



8R1110-101-1048

MODEL NUMBER

VTD024

4-7-00

DATE

PART NUMBER

PRODUCT SPECIFICATION

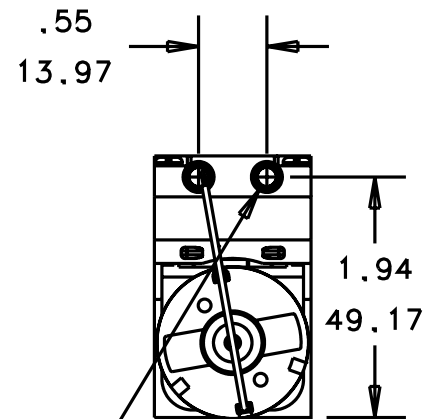
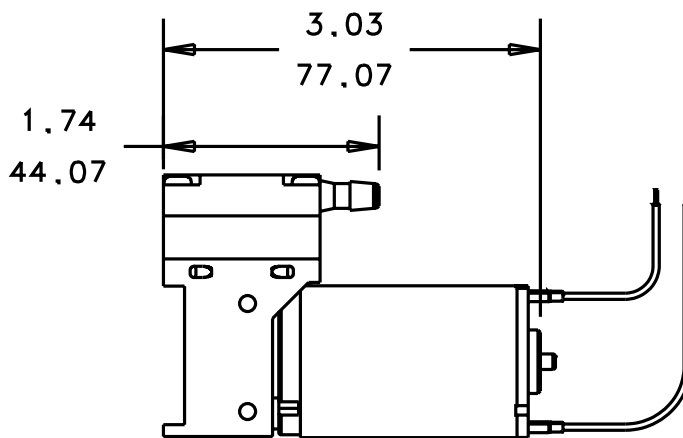
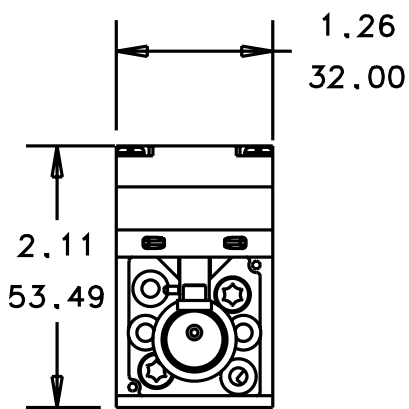
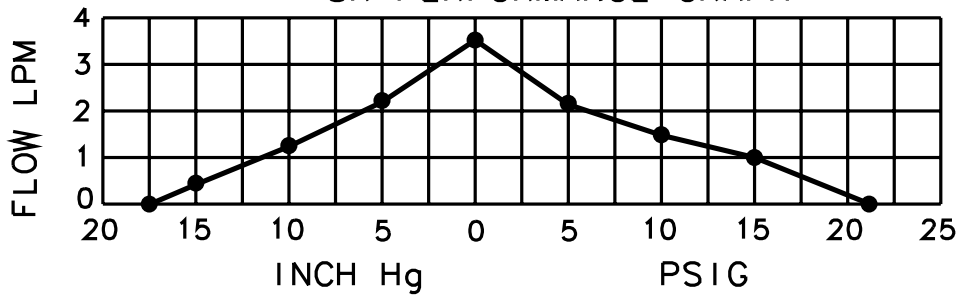
3000	<70dBa	°C	10-95	.23 Kg

MOTOR	24V	REVISION
FREQUENCY	N/A	F
MAX AMP DRAW	.3	
MATERIAL	EPDM VALVE	
ENVIRONMENT	CLEAN DUST FREE	
*TEMPERATURE	23°C/73.4°F	
*ATM PRESSURE	29.92InHg/14.7psi	
INLET AIR DENSITY	.075 LBS/CU FT	

NOTES:

- ALL DIMENSIONS ARE FOR REFERENCE ONLY.
- PRODUCT DIMENSION: U.S. IMPERIAL (inches)
METRIC (mm)

8R PERFORMANCE GRAPH



(2) ϕ .234 HOSE BARB
 ϕ 5.94

**PRODUCT PERFORMANCE MAY VARY \pm 10% FROM PRODUCT PERFORMANCE CURVES.
TECHNICAL DATA SUBJECT TO CHANGE WITHOUT NOTICE.
*TEST CONDITIONS**