

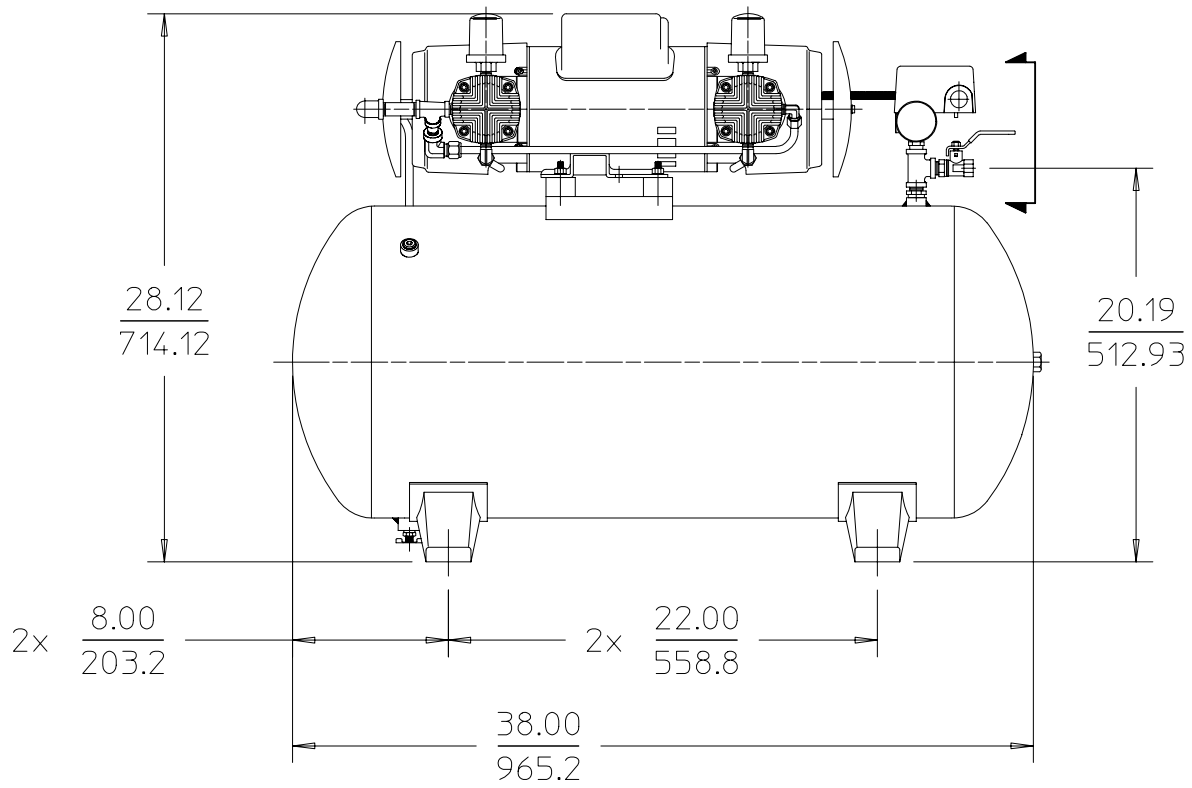
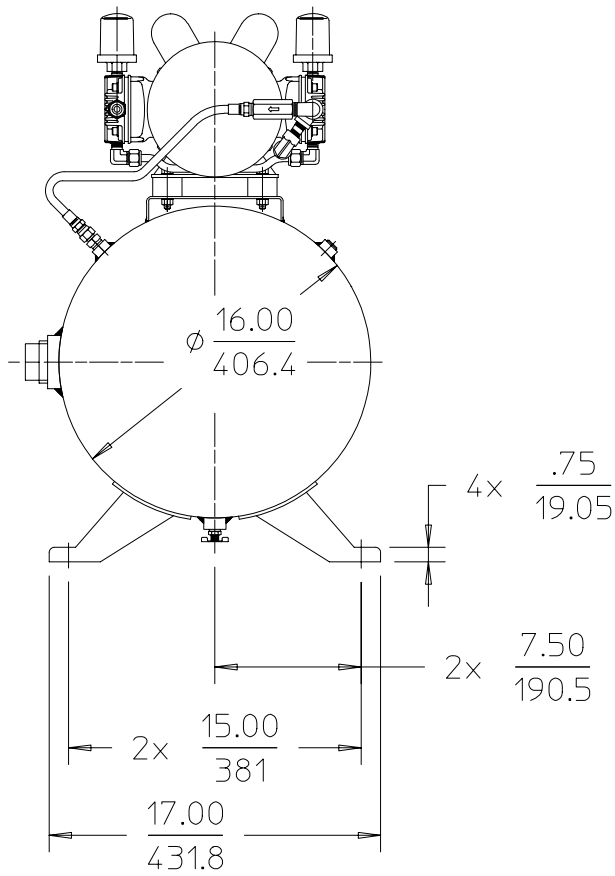
# Product Specifications



GAST MANUFACTURING, INC.  
 A Unit of IDEX Corporation  
 Post Office Box 97  
 Benton Harbor, Michigan  
 Ph: 269/926-6171  
 Fax: 269/925-8288

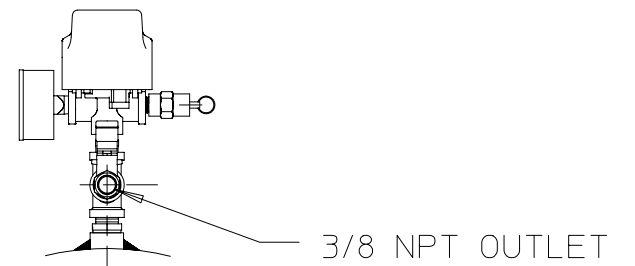
|                |             |     |      |    |              |          |
|----------------|-------------|-----|------|----|--------------|----------|
| Model          | V           | HP  | kW   | Hz | Part Number: | Revision |
| 7LDE-46T-M750X | 115/208-230 | 1.5 | 1.11 | 60 | RTD728       | C        |

1725    
 75-81 dBA +5    
 +40 °C    
 20-80 %    
 185 lbs. / 83.6 kg



**NOTES:**

1. ALL DIMENSIONS ARE FOR REFERENCE USE ONLY.
2. PRODUCT DIMENSIONS: U.S. IMPERIAL (inches) METRIC (mm).
3. TECHNICAL DATA SUBJECT TO CHANGE WITHOUT NOTICE.
4. ENVIRONMENT: CLEAN DUST FREE.
5. FACTORY SETTING: CUT-IN 30 PSI± 2 PSI/CUT-OUT 50 PSI ±2 PSI.



**PRODUCT PERFORMANCE**

