

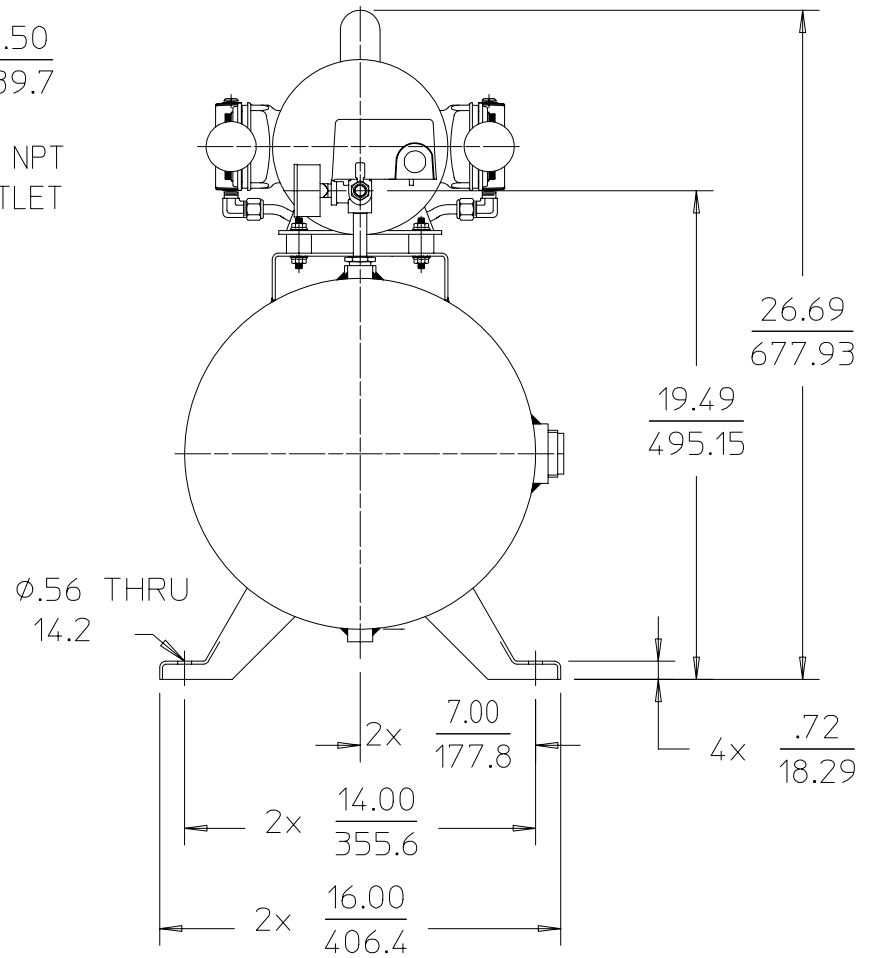
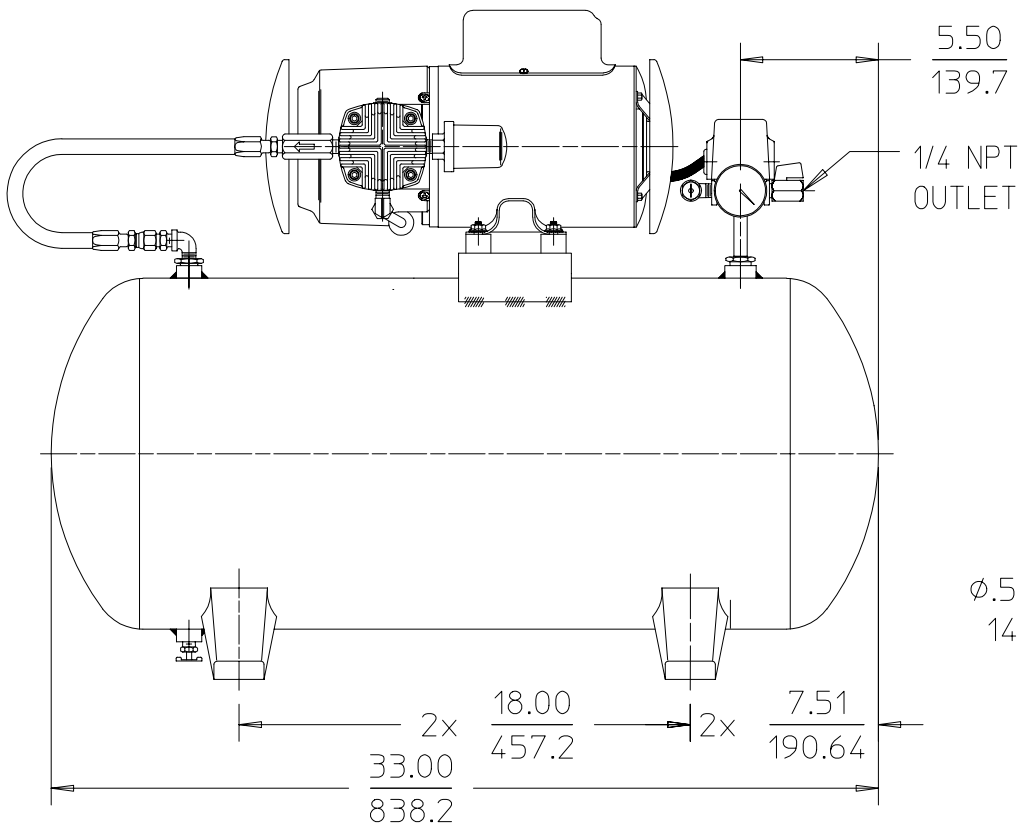
Product Specifications



GAST MANUFACTURING, INC.
 A Unit of IDEX Corporation
 Post Office Box 97
 Benton Harbor, Michigan
 Ph: 269/926-6171
 Fax: 269/925-8288

Model	V	HP	kW	Hz	Part Number:	Revision
5LCA-46T-M550GX	115/230	3/4	0.56	60	RTD726	A

1725
 <75dBA
 +5 °C
 +40
 20-80
 109 lbs.
 49.3 kg



NOTES:

1. ALL DIMENSIONS ARE FOR REFERENCE USE ONLY.
2. PRODUCT DIMENSIONS: U.S. IMPERIAL (inches) METRIC (mm).
3. TECHNICAL DATA SUBJECT TO CHANGE WITHOUT NOTICE.
4. ENVIRONMENT: CLEAN DUST FREE.
5. FACTORY SETTING: CUT-IN 30 PSI± 2 PSI/CUT-OUT 50 PSI ±2 PSI.

PRODUCT PERFORMANCE

