



Post Office Box 97
Benton Harbor, Michigan
Ph: 616/926-6171
Fax: 616/925-8268

PART NUMBER:

LTD127

REV.

A

Product Specifications

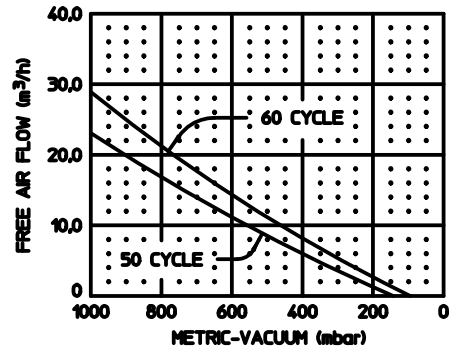
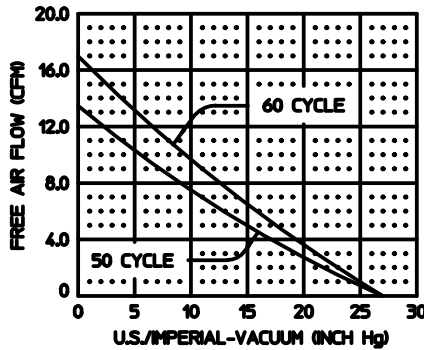
Model Number	RPM		HP	kW	Net Wt.	
	60 CYCLE	50 CYCLE			lbs.	kg
2067-V105	1725	1425	1.0	0,75	56	25,5
2567-V105	1725	1425	1.5	1,1	55	25,0

SOUND LEVEL 81 dB(A) MAX.
 NORMAL AMBIENT 1° C. - 40° C.
 RELATIVE HUMIDITY 8% - 100% NON CONDENSING
 ENVIRONMENT CLEAN DUST FREE

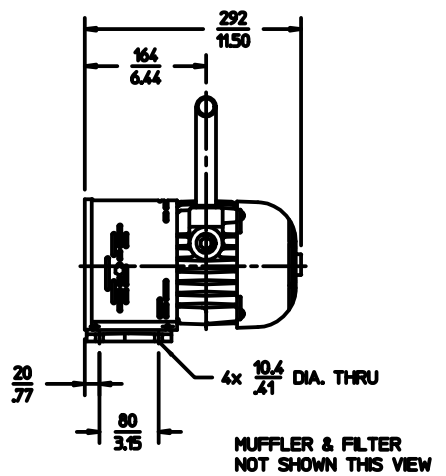
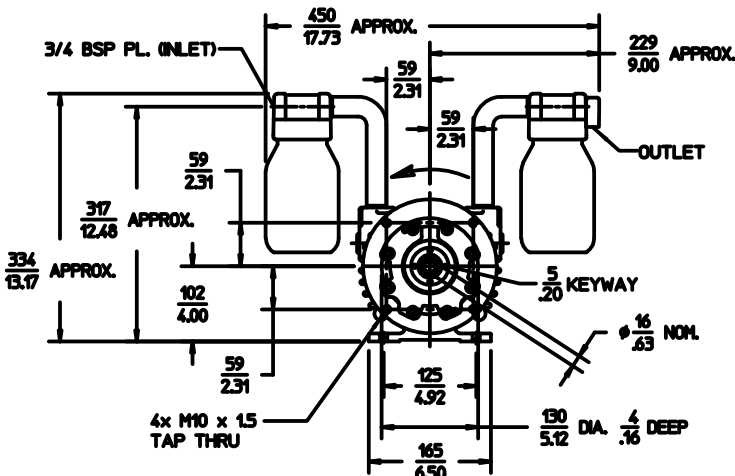
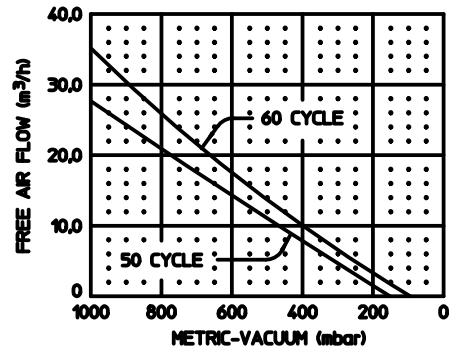
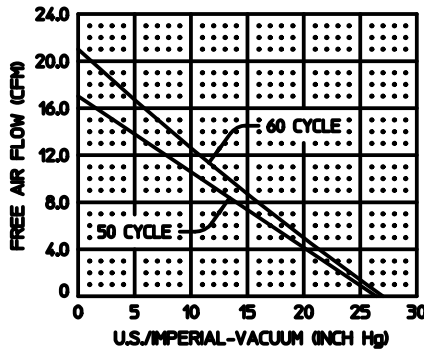
NOTES:

1. TECHNICAL DATA SUBJECT TO CHANGE WITHOUT NOTICE.
2. DIMENSIONS: METRIC (mm) U.S. IMPERIAL (inches).

MODEL 2067



MODEL 2567



MULLER & FILTER NOT SHOWN THIS VIEW