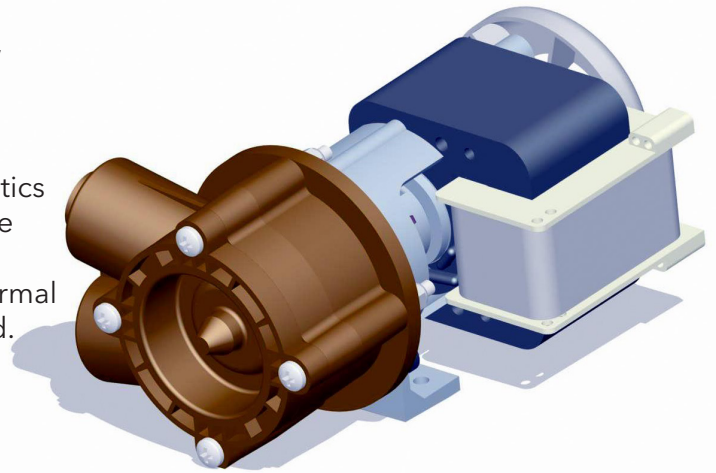


### PRINCIPAL APPLICATIONS

Designed for continuous recirculation of carbonated water, aggressive chemicals, chilled water, pure or precious liquids in high pressure systems.

### FEATURES

- Manufactured from chemically resistant thermoplastics
- Operating at an optimum flow rate of 3 litres/minute
- Wetted parts made from WRAS approved materials
- Magnetic coupling provides an energy efficient thermal shield, minimising heat transfer to the pumped fluid.
- Temperature stability and product purity ensured
- Leak free continuous operation
- Low condensation
- Nitrile o rings standard. Other materials available
- Zero maintenance
- PPS pump head
- Long life



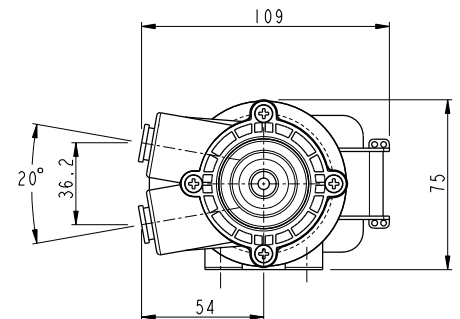
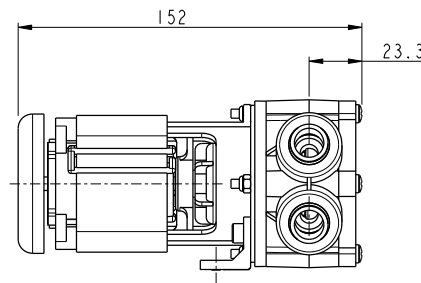
### OPTIONS

#### HBM6/8

230V 1Ph 50 Hz

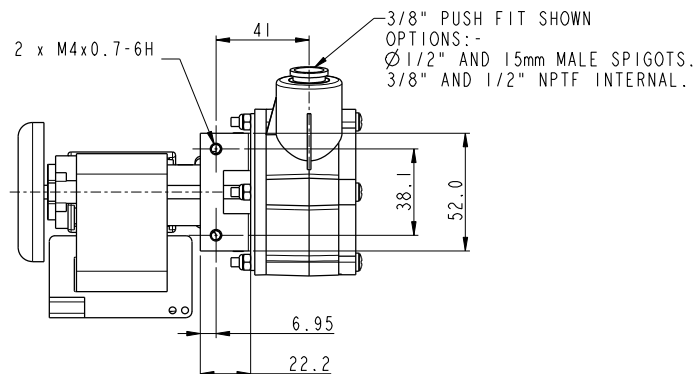
#### Port Details

- 1/2" OD
- 15mm OD
- 3/8" ID
- 3/8" NPT
- 1/2" NPT



### DIMENSIONS

Drawings not to scale  
Dimensions in millimetres

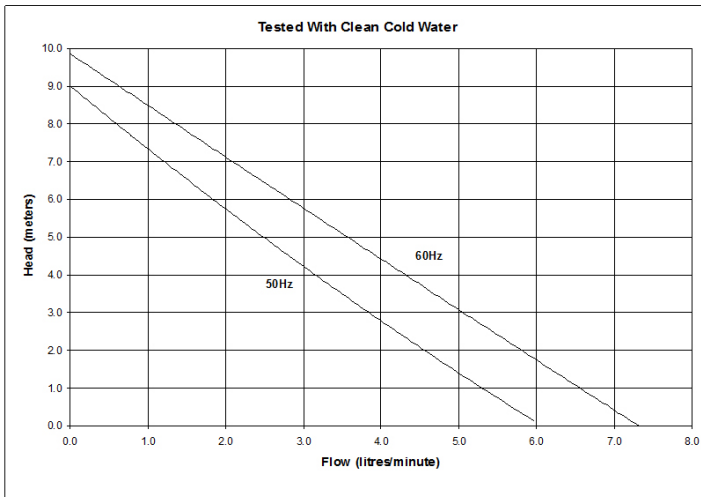


### SPECIFICATION

| Model  | Overall height (mm) | Overall length (mm) | Overall width (mm) | Weight (kg) | Max body pressure (bar) | Run-out flow rate (l/min) | Closed valve head (m) | Temp range (degC) | *Max specific gravity | Motor output (watts) |
|--------|---------------------|---------------------|--------------------|-------------|-------------------------|---------------------------|-----------------------|-------------------|-----------------------|----------------------|
| HBM6/8 | 75                  | 152                 | 109                | 1.5         | 10                      | 50 Hz 6                   | 9                     | -20 to +85        | 1.2                   | 20                   |
|        |                     |                     |                    |             |                         | 60 Hz 7.2                 | 10                    |                   |                       |                      |

\*Assuming maximum viscosity of 30cp. Refer to Totton Pumps for higher viscosities and specific gravities

## PERFORMANCE



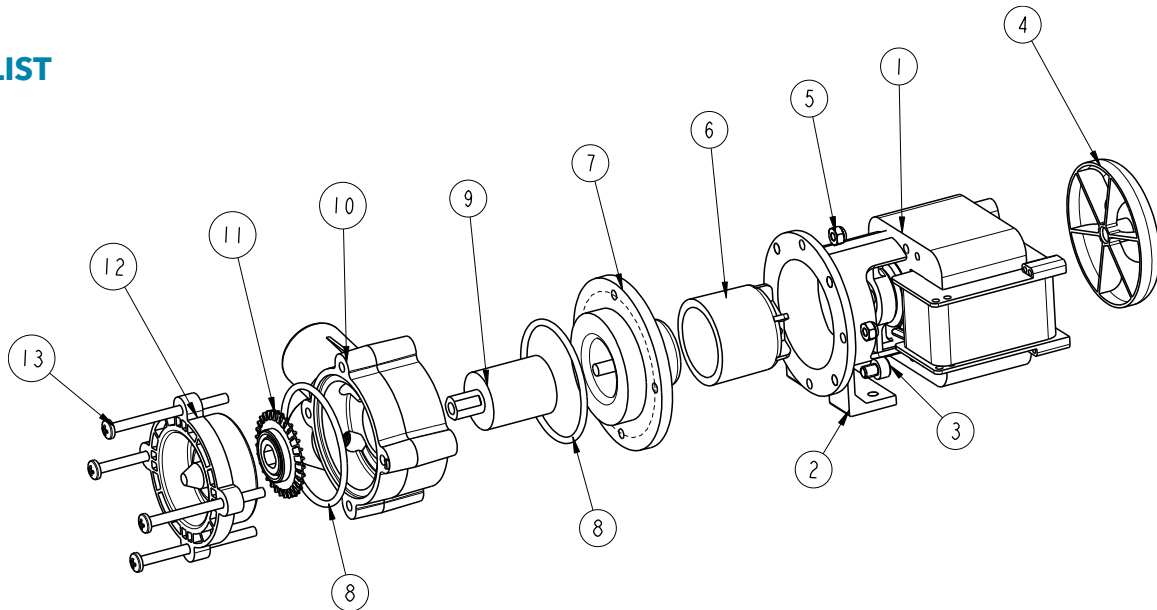
NOTE: These magnetically coupled pumps are designed for use with clean fluids.

Solids will cause jamming. Abrasives will reduce pump life and invalidate the warranty.

HBM pumps are not self priming and are not designed to run dry.

The company reserves the right to change specifications.

## PART LIST



| Item Number | Description      | Quantity | Part Number             |                         |                         |
|-------------|------------------|----------|-------------------------|-------------------------|-------------------------|
| 1           | Motor            | 1        | -                       |                         |                         |
| 2           | Mounting Bracket | 1        | 043308                  |                         |                         |
| 3           | Screw            | 2        | 031427                  |                         |                         |
| 4           | Fan              | 1        | 033322                  |                         |                         |
| 5           | Nut              | 4        | 001564                  |                         |                         |
| 6           | Drive Magnet     | 1        | 023267                  |                         |                         |
| 7           | Spindle Housing  | 1        | 043321                  |                         |                         |
| 8           | O Ring           | 2        | 013394 Nitrile          | 013291 EPDM             | 003265 Viton            |
| 9           | Driven Magnet    | 1        | 033248                  |                         |                         |
| 10          | Pump Body        | 1        | 043324<br>1/2" OD Ports | 043323<br>15mm OD Ports | 043327<br>3/8" ID Ports |
| 11          | Impeller         | 1        | 033323                  |                         |                         |
| 12          | Front Cover      | 1        | 043322                  |                         |                         |
| 13          | Screw            | 4        | 022112                  |                         |                         |

**xylem**  
Let's Solve Water

[www.xyleminc.com](http://www.xyleminc.com)

**UK**  
**Xylem**  
Bingley Road, Hoddesdon  
Hertfordshire EN11 0BU  
Tel: +44 (0) 1992 450145  
Fax: +44 (0) 1992 467132

**USA**  
**Xylem**  
100 Cummings Center Drive  
Suite 535-N, Beverly, MA 01915  
Tel: +1 978 281-0440  
Fax: +1 978 283-2619

**ITALY**  
**Xylem**  
Via Tommaseo, 6  
20059 Vimercate, Milano  
Tel: +39 039 685 2323  
Fax: +39 039 666 307

**GERMANY**  
**Xylem**  
Oststrasse 28  
22844 Norderstedt  
Tel: +49-40-53 53 73-0  
Fax: +49-40-53 53 73-11

**JAPAN**  
**Xylem**  
3-21-10, Shin-Yokohama  
Kohoku-Ku, Yokohama, 222-0033  
Tel: +81-045-475-8906  
Fax: +81-045-477-1162

**Warranty:** All products of the company are sold, and all services of the company are offered subject to the company's warranty and terms of sale, copies of which will be furnished upon request. Details correct at time of printing. We reserve the right to change specifications without prior notice.