

FLOJET

a xylem brand

Bottled Water Systems 5000 Series Model: BW5004-000A

This document provides technical information relating to this specific Flojet model. General information references and further resource locations are also included.

Features:

- Self-priming
- Dry Run Capable
- Noise absorbing mounts
- Snap-in port fittings
- Built-in bypass
- Corrosion resistant materials

Contents:

Main module with On/Off rocker switch

Suction Wand and Hose Assembly

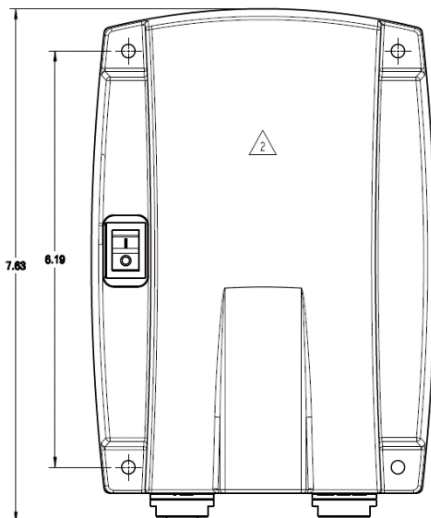
20 ft Discharge Tube

Outlet port fitting kit

Wall power transformer: 230 VAC EU Cord and Plug
12 VDC

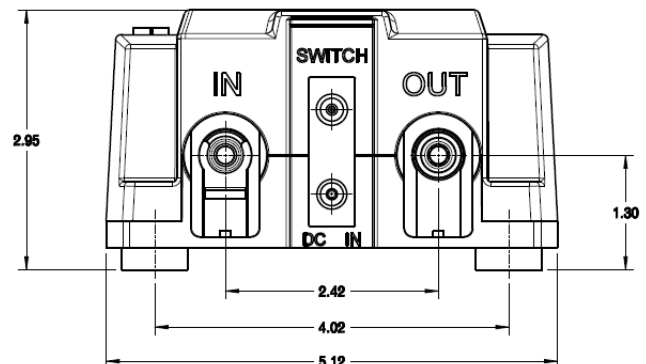
IOM: Included (PN 81000454)

Carton type: Retail box



Dimensional Drawing

Notes: Inches



Specifications:

General

Part Number:	BW5004-000A
Aftermarket replacement:	N/A
Replaces:	N/A
Application:	Bottled Water Systems
Design:	

Materials (*designates wetted path)

Upper Housing*:	Polypropylene 30% glass filled
Lower Housing:	Polypropylene
Check Valve Retainer*:	Polypropylene
Diaphragm*:	Santo
Check Valves*:	EPDM
Switch diaphragm*:	EPDM
PH Seals*:	EPDM
PH Fasteners:	Stainless Steel
Baseplate:	Rubber Feet
Motor Casing:	Plastic

Hydraulic Performance (at nominal voltage)

Open Flowrate:	1 GPM open flow (3.78LPM)
Pressure Switch Cut-Off:	40 PSI (2.7 BAR)
Max Inlet Pressure:	40 PSI (2.8 BAR)
Internal Bypass:	Yes
Fluid Temperature Range:	40°F - 140°F (4°C - 60°C)
IOM:	81000454
Self-Priming Capability:	Up to 9ft (2.7m) dry prime
Run-Dry Capable:	Yes

Electrical Performance (at nominal voltage)

Nominal Voltage:	12 VDC
Voltage:	Input 100-240 VAC
Cycles:	50/60 Hz
Current:	1.2 Amps Max.
Maximum Pressure:	40 PSI (2.8 bar) Max.

Compliance

UL:	Yes
NSF:	Yes
CE:	Yes
RCM:	No
UKCA:	No
WEEE:	No
Country of Origin:	China
HTS Code:	8413.50.0050

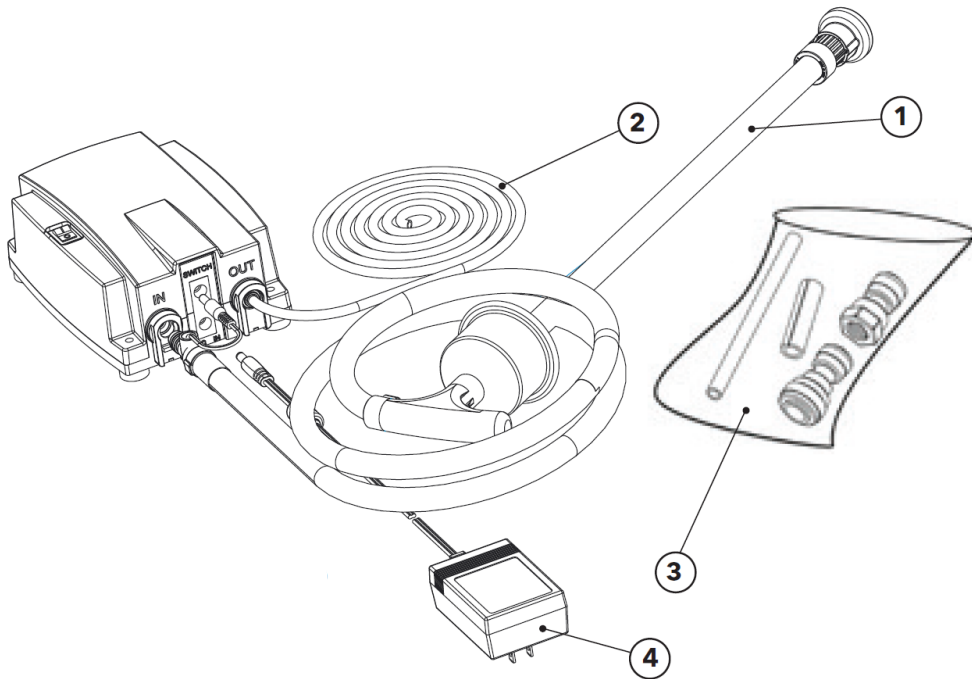
Other Information

Other Information:	Water dispense
Ambient Temp Range:	32°F - 140°F (0°C - 60°C)
IP Rating:	IPX4
Carton Dimensions:	10.5x24x3.25" (266.7x609.6x82.55 mm)
Weight:	4.6 lb. (2.1 kg)
UPC Code:	705474207466

Pump Service Kits & Spares:

ITEM	DESCRIPTION
1. Suction Wand	Suction Wand and Hose Assembly
2. Discharge Tube	20 ft (6.1m) of 1/4 in. (6.35mm)
3. Outlet port fitting kit	Fittings and connection aids for connecting outlet line from BW5000 to dispense machine
4. Wall power transformer	Wall power transformer

Exploded View:



Installation and Operation

For guidance on proper installation and operation of this pump, as well as for any warnings or cautions involving use, please consult the appropriate IOM for the pump. Printed IOM's are supplied with the pumps and are also available online.

Resources & Contact Information

IOM: On website; hard copies with pumps

Customer Service: Refer to contact info at our website

Warranty: Information included in IOM

Website: www.xylem.com/Flojet

Note: Specifications provided for guidance only. We reserve the right to change specifications without prior notice.

FLOJET
a xylem brand

Xylem Inc. — USA
17942 Cowan
Irvine, CA 92614

Xylem Inc. — UK
Harlow Innovation Park,
London Road,
Harlow, Essex, CM17 9LX

Xylem Inc. — CHINA
30/F Tower A, 100 Zunyi Road,
Shanghai 200051

Xylem Inc. — HUNGARY KFT
2700 Cegléd
Külso-Kátai út 41

Xylem Inc. — AUSTRALIA
2/2 Capicure Drive
Eastern Creek, NSW 2766

www.xylem.com/flojet

© 2023 Xylem Inc. All rights reserved
Flojet is a trademark of Xylem Inc. or one of its subsidiaries
BW5000-000A Rev. A 05/2023