

**PRODUCT SPECIFICATIONS**

Sturdibilt® Stainless Steel 19" x 23" x 4" Wall Hung Single Bowl  
Lavatory Sink Kit. Sink is manufactured from 18 gauge 304 Stainless  
Steel with a Buffed Satin finish, Rear Center drain placement.

<b>Material:</b>	304 Stainless Steel
<b>Finish:</b>	Buffed Satin
<b>Gauge:</b>	18
<b>Number of Bowls:</b>	1
<b>Sink Dimensions:</b>	19" x 23" x 9"
<b>Bowl 1 Dimensions:</b>	16" x 13-1/2" x 4"
<b>Drain Size:</b>	1-1/2" (38mm)
<b>Drain Location:</b>	Rear Center



**Included with Product:** WCLWO1923 sink,  
one LKB721C sensor faucet with AC  
plug-in / 4 AA batteries,  
LKAD174 drain,  
LKF298 overflow

▼ **Ships in multiple boxes.**

A Century of Tradition and Quality.  
For more than 100 years, Elkay has been making innovative products  
and providing exceptional customer care. We take pride in offering  
plumbing products that make life easier, inspire change and leave the  
world a better place.



**Product Compliance:** ADA & ICC A117.1  
NSF 2  
ASME A112.19.3/CSA B45.4  
Faucet: ASME A112.18.1/CSA B125.1  
NSF 372 (lead free)  
NSF 61 (Q≤1)  
Accessory: ASME A112.18.2/CSA B125.2



Sinks are listed by IAPMO® as meeting the applicable requirements  
of the Uniform Plumbing Code®, International Plumbing Code®, and  
National Plumbing Code of Canada.

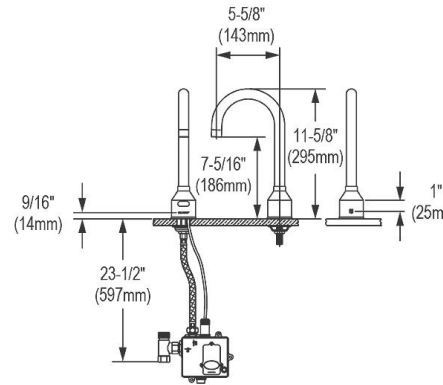
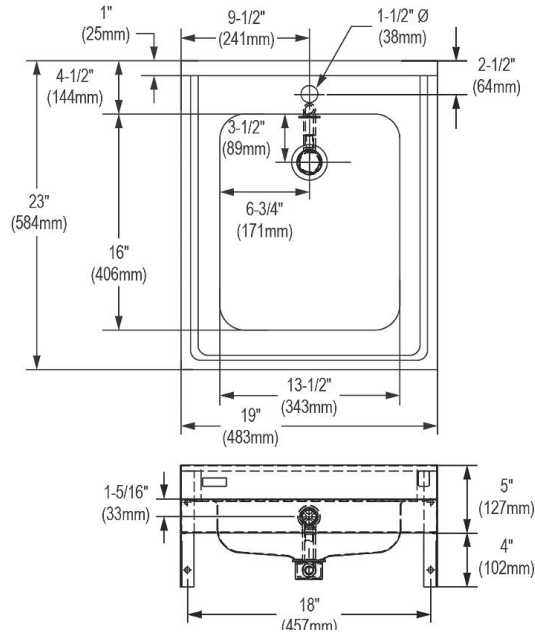


Complies with ADA & ICC A117.1 accessibility requirements when  
installed according to the requirements outlined in these standards.

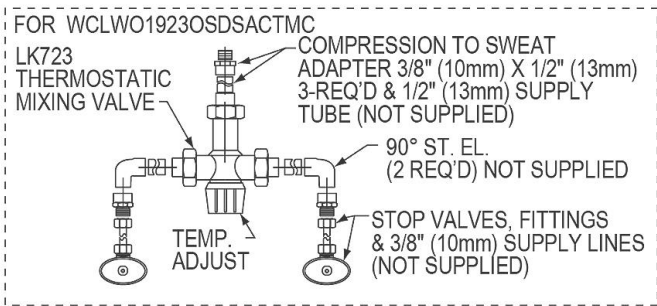
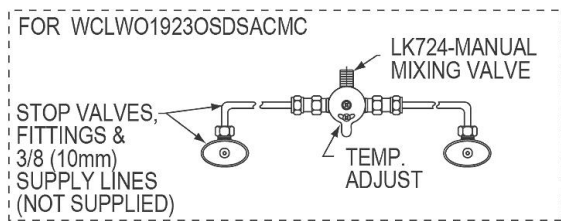
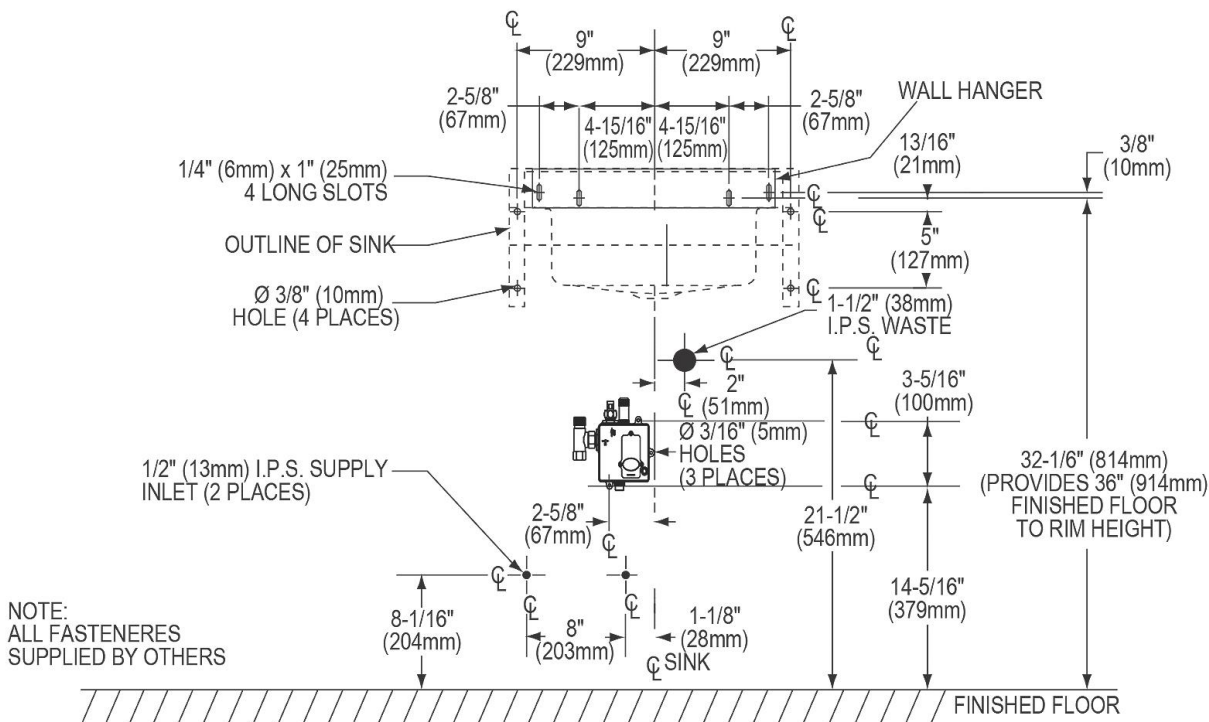
[Clean and Care Manual \(PDF\)](#)  
[Installation Instructions \(PDF\) - 2000000714](#)  
[Warranty \(PDF\)](#)

PART: \_\_\_\_\_ QTY: \_\_\_\_\_  
PROJECT: \_\_\_\_\_  
CONTACT: \_\_\_\_\_  
DATE: \_\_\_\_\_  
NOTES: \_\_\_\_\_  
APPROVAL: \_\_\_\_\_

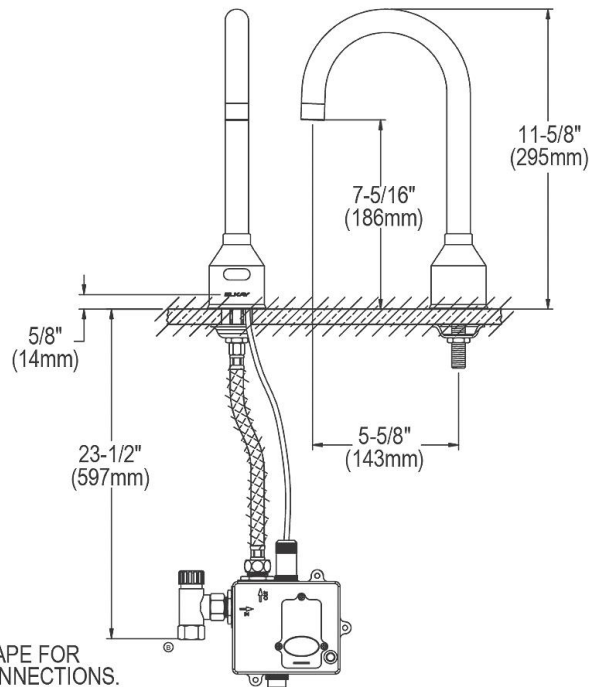
*In keeping with our policy of continuing product improvement, Elkay reserves the right to change product specifications without notice. Please visit [elkay.com](http://elkay.com) for the most current version of Elkay product specification sheets. This specification describes an Elkay product with design, quality, and functional benefits to the user. When making a comparison of other producers' offerings, be certain these features are not overlooked.*



*In keeping with our policy of continuing product improvement, Elkay reserves the right to change product specifications without notice. Please visit [elkay.com](http://elkay.com) for the most current version of Elkay product specification sheets. This specification describes an Elkay product with design, quality, and functional benefits to the user. When making a comparison of other producers' offerings, be certain these features are not overlooked.*



NOTE: USE TEFLON TAPE FOR ALL WATER CONNECTIONS. DO NOT USE PIPE DOPE.



In keeping with our policy of continuing product improvement, Elkay reserves the right to change product specifications without notice. Please visit [elkay.com](http://elkay.com) for the most current version of Elkay product specification sheets. This specification describes an Elkay product with design, quality, and functional benefits to the user. When making a comparison of other producers' offerings, be certain these features are not overlooked.