

PRODUCT SPECIFICATIONS

Fireclay 33" x 19-15/16" x 9-3/16" 60/40 Double Bowl Farmhouse Workstation Sink with Aqua Divide White. Sink is molded from fine fireclay with a durable porcelain glaze providing a finish that is non-porous and resists staining. Naturally sound deadening and Center drain placement.

| | |
|------------------------------|----------------------------|
| Installation Type: | Farmhouse, Sink Kits |
| Material: | Fireclay |
| Special Features: | Aqua Divide Workstation |
| Finish: | White (WH) |
| Number of Bowls: | 2 |
| Sink Dimensions: | 33" x 19-15/16" x 10-1/8" |
| Bowl 1 Dimensions: | 12" x 16-1/4" x 9-3/16" |
| Bowl 2 Dimensions: | 18-3/8" x 16-1/4" x 9-1/8" |
| Drain Size: | 3-1/2" (89mm) |
| Drain Location: | Center |
| Minimum Cabinet Size: | 36" |
| Template Included: | No |

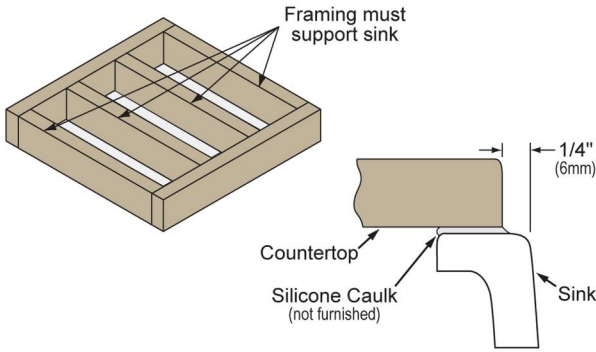
Special Note: Reserve Selection products are sold exclusively, in-store and online, through authorized wholesalers. Sink is reversible offering the option of a traditional flat front or a decorative band feature.



White (WH)

Installation Profile:

1/4" REVEAL



Designed to affix to the underside of any solid surface countertop.



Included with Product: one LKCB1217HW cutting board.

A Century of Tradition and Quality. For more than 100 years, Elkay has been making innovative products and providing exceptional customer care. We take pride in offering plumbing products that make life easier, inspire change and leave the world a better place.

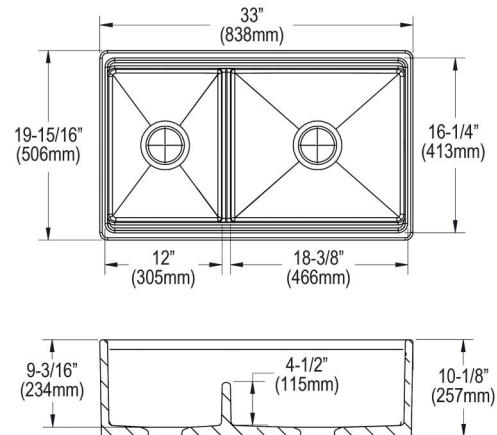


Product Compliance: ASME A112.19.2/CSA B45.1



Sinks are listed by IAPMO[®] as meeting the applicable requirements of the Uniform Plumbing Code[®], International Plumbing Code[®], and National Plumbing Code of Canada.

[Clean and Care Manual \(PDF\)](#)
[Installation Instructions \(PDF\) - 100003608](#)
[Warranty \(PDF\)](#)



PART: _____ QTY: _____

PROJECT: _____


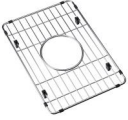
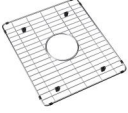


CONTACT: _____

DATE: _____

NOTES: _____

APPROVAL: _____

In keeping with our policy of continuing product improvement, Elkay reserves the right to change product specifications without notice. Please visit elkay.com for the most current version of Elkay product specification sheets. This specification describes an Elkay product with design, quality, and functional benefits to the user. When making a comparison of other producers' offerings, be certain these features are not overlooked. Latest version of the spec sheet available: https://www.elkayfiles.com/spec-sheets/SWUF3320WH_spec.pdf

| Included Accessories | | |
|----------------------------|--|--|
| LKCB1217HW | Hardwood 12-1/2" x 17-3/8" x 1-1/2" Cutting Board Spec Sheet (PDF) |  |
| Optional Accessories | | |
| LKBG1115SS | Stainless Steel 10-7/16" x 14-9/16" x 1-5/16" Bottom Grid Spec Sheet (PDF) |  |
| LKBG1715SS | Stainless Steel 16-3/4" x 14-9/16" x 1-5/16" Bottom Grid Spec Sheet (PDF) |  |
| LK99FC | Deluxe Drain 3-1/2" Type 304 Stainless Steel Body for Fireclay Sinks Spec Sheet (PDF) |  |
| LKEC2037 | Explore™ Three Hole Bridge Faucet with Pull-down Spray and Lever Handles Spec Sheet (PDF) |  |

In keeping with our policy of continuing product improvement, Elkay reserves the right to change product specifications without notice. Please visit elkay.com for the most current version of Elkay product specification sheets. This specification describes an Elkay product with design, quality, and functional benefits to the user. When making a comparison of other producers' offerings, be certain these features are not overlooked. Latest version of the spec sheet available: https://www.elkayfiles.com/spec-sheets/SWUF3320WH_spec.pdf