

**PRODUCT SPECIFICATIONS**

Fireclay 30" x 19-15/16" x 9-1/8" Single Bowl Farmhouse Sink Kit White. Sink is molded from fine fireclay with a durable porcelain glaze providing a finish that is non-porous and resists staining. Naturally sound deadening and Center drain placement.

<b>Installation Type:</b>	Farmhouse, Sink Kits
<b>Material:</b>	Fireclay
<b>Finish:</b>	White (WH)
<b>Number of Bowls:</b>	1
<b>Sink Dimensions:</b>	30" x 19-15/16" x 10-1/16"
<b>Bowl 1 Dimensions:</b>	28-1/2" x 18-5/16" x 9-1/8"
<b>Drain Size:</b>	3-1/2" (89mm)
<b>Drain Location:</b>	Center
<b>Minimum Cabinet Size:</b>	33"
<b>Mounting Hardware:</b>	No
<b>Template Included:</b>	No



**Included with Product:** LKBG2616SS Bottom Grid, LK99FC Drain, LKCLKIT Cleaning Kit

**▼ Ships in multiple boxes.**

A Century of Tradition and Quality. For more than 100 years, Elkay has been making innovative products and providing exceptional customer care. We take pride in offering plumbing products that make life easier, inspire change and leave the world a better place.



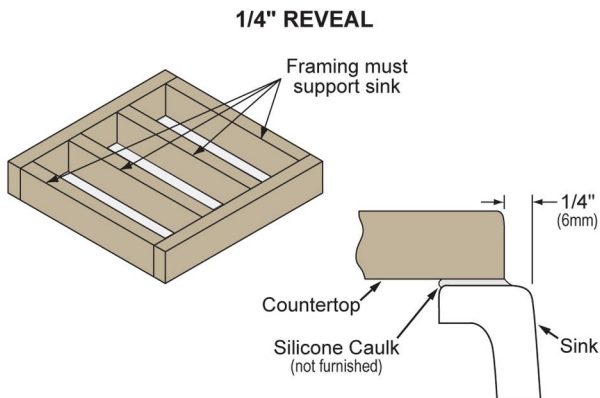
**Product Compliance:** ASME A112.19.2/CSA B45.1  
**Accessory:** ASME A112.18.2/CSA B125.2

[Clean and Care Manual \(PDF\)](#)  
[Installation Instructions \(PDF\) - 100003608](#)  
[Warranty \(PDF\)](#)

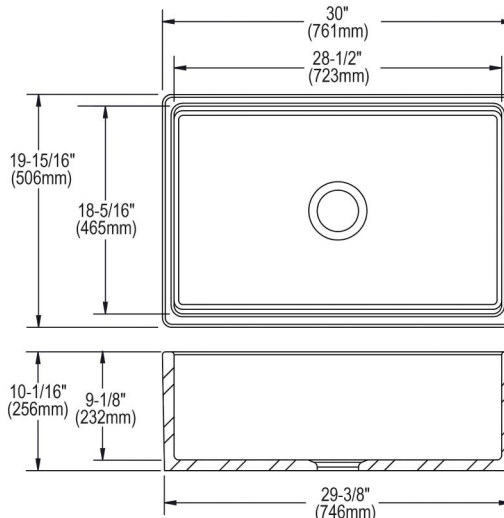


White (WH)

**Installation Profile:**






Designed to affix to the underside of any solid surface countertop.



PART: \_\_\_\_\_ QTY: \_\_\_\_\_  
 PROJECT: \_\_\_\_\_  
 CONTACT: \_\_\_\_\_  
 DATE: \_\_\_\_\_  
 NOTES: \_\_\_\_\_  
 APPROVAL: \_\_\_\_\_

*In keeping with our policy of continuing product improvement, Elkay reserves the right to change product specifications without notice. Please visit [elkay.com](http://elkay.com) for the most current version of Elkay product specification sheets. This specification describes an Elkay product with design, quality, and functional benefits to the user. When making a comparison of other producers' offerings, be certain these features are not overlooked. Latest version of the spec sheet available: [https://www.elkayfiles.com/spec-sheets/SWUF28179WHC\\_spec.pdf](https://www.elkayfiles.com/spec-sheets/SWUF28179WHC_spec.pdf)*

Included Accessories		
<a href="#">LK99FC</a>	Deluxe Drain 3-1/2" Type 304 Stainless Steel Body for Fireclay Sinks <a href="#">Spec Sheet (PDF)</a>	
<a href="#">LKBG2616SS</a>	Stainless Steel 26-3/4" x 16-9/16" x 1-3/8" Bottom Grid <a href="#">Spec Sheet (PDF)</a>	
<a href="#">LKCLKIT</a>	Sink Cleaning Kit <a href="#">Spec Sheet (PDF)</a>	

*In keeping with our policy of continuing product improvement, Elkay reserves the right to change product specifications without notice. Please visit [elkay.com](http://elkay.com) for the most current version of Elkay product specification sheets. This specification describes an Elkay product with design, quality, and functional benefits to the user. When making a comparison of other producers' offerings, be certain these features are not overlooked. Latest version of the spec sheet available: [https://www.elkayfiles.com/spec-sheets/SWUF28179WHC\\_spec.pdf](https://www.elkayfiles.com/spec-sheets/SWUF28179WHC_spec.pdf)*