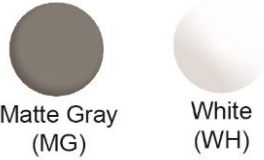


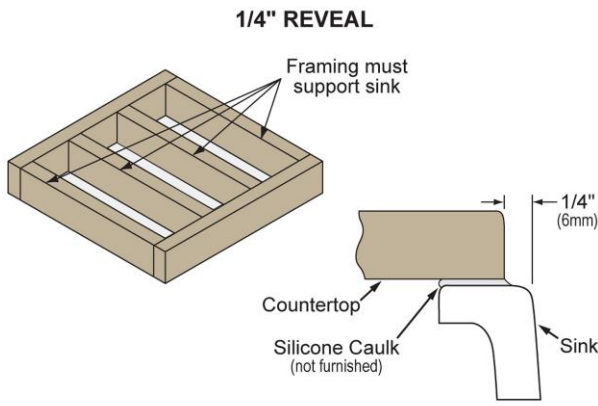
PRODUCT SPECIFICATIONS

Fireclay 30" x 19-15/16" x 9-1/8" Single Bowl Farmhouse Sink Kit with Filtered Faucet. Sink is molded from fine fireclay with a durable porcelain glaze providing a finish that is non-porous and resists staining. Naturally sound deadening and Center drain placement.

Installation Type:	Sink Kits, Farmhouse
Material:	Fireclay
Finish:	Matte Gray (MG), White (WH)
Number of Bowls:	1
Sink Dimensions:	30" x 19-15/16" x 10-1/16"
Bowl 1 Dimensions:	28-1/2" x 18-5/16" x 9-1/8"
Drain Size:	3-1/2" (89mm)
Drain Location:	Center
Minimum Cabinet Size:	33"
Mounting Hardware:	Included



Installation Profile:



Designed to affix to the underside of any solid surface countertop.

Included with Product:

**LKAV7051FCR Faucet with filter included,
LK99FC Drain,
LKBG2616SS Bottom Grid**

A Century of Tradition and Quality. For more than 100 years, Elkay has been making innovative products and providing exceptional customer care. We take pride in offering plumbing products that make life easier, inspire change and leave the world a better place.



Product Compliance:

Faucet:

ASME A112.19.2/CSA B45.1
ASME A112.18.1/CSA B125.1
NSF 61
NSF 372 (lead free)

Accessory:

ASME A112.18.2/CSA B125.2
NSF 42
NSF 53
NSF 401

[Clean and Care Manual \(PDF\)](#)
[Installation Instructions \(PDF\) - 100003608](#)
[Warranty \(PDF\)](#)

PART: _____ QTY: _____

PROJECT: _____

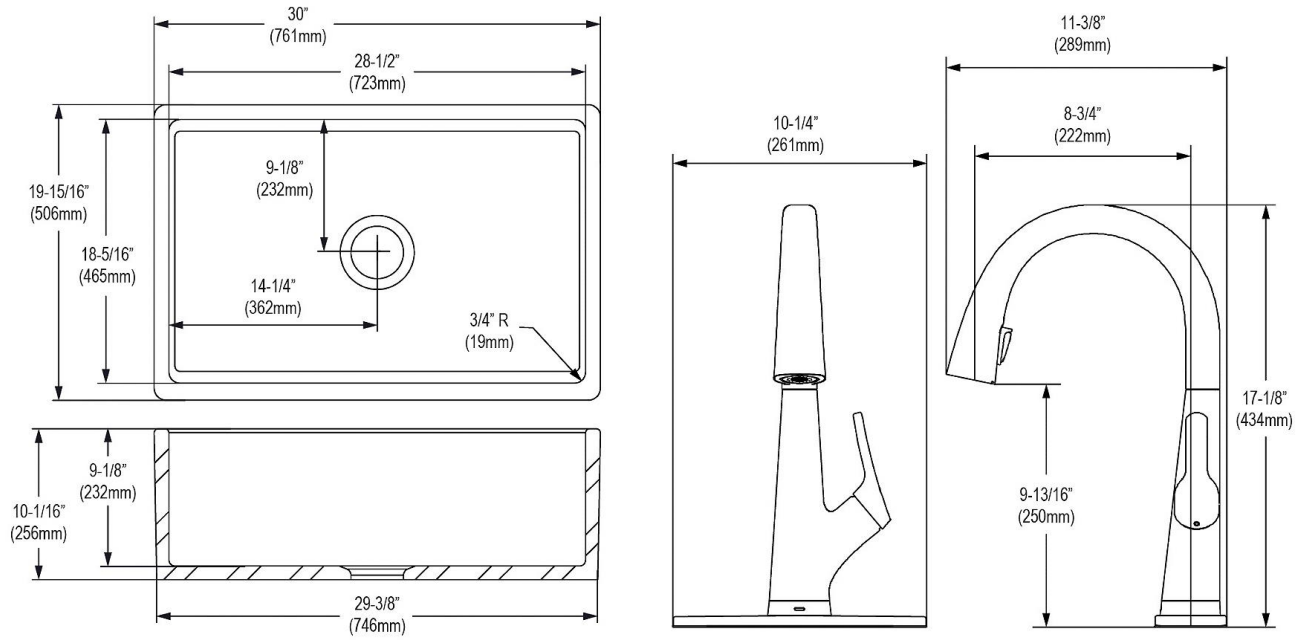
CONTACT: _____



DATE: _____

NOTES: _____

APPROVAL: _____

In keeping with our policy of continuing product improvement, Elkay reserves the right to change product specifications without notice. Please visit elkay.com for the most current version of Elkay product specification sheets. This specification describes an Elkay product with design, quality, and functional benefits to the user. When making a comparison of other producers' offerings, be certain these features are not overlooked.



Optional Accessories		
LK99FCS	Deluxe Drain Kit with Satin Finish 3-1/2 Type 304 Stainless Steel Body for Fireclay Sinks Spec Sheet (PDF)	
ERF750	WaterSentry® Lead + Microplastics NSF/ANSI Certified Residential 750 Gal 12 Month Filter Spec Sheet (PDF)	

In keeping with our policy of continuing product improvement, Elkay reserves the right to change product specifications without notice. Please visit elkay.com for the most current version of Elkay product specification sheets. This specification describes an Elkay product with design, quality, and functional benefits to the user. When making a comparison of other producers' offerings, be certain these features are not overlooked.